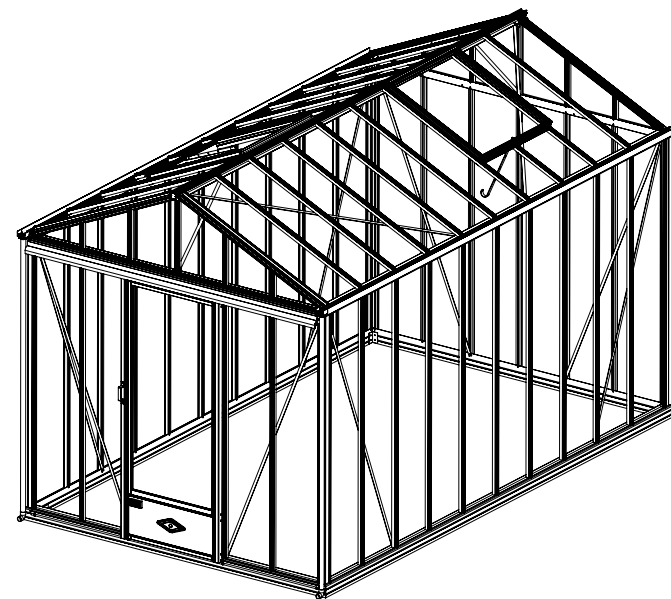
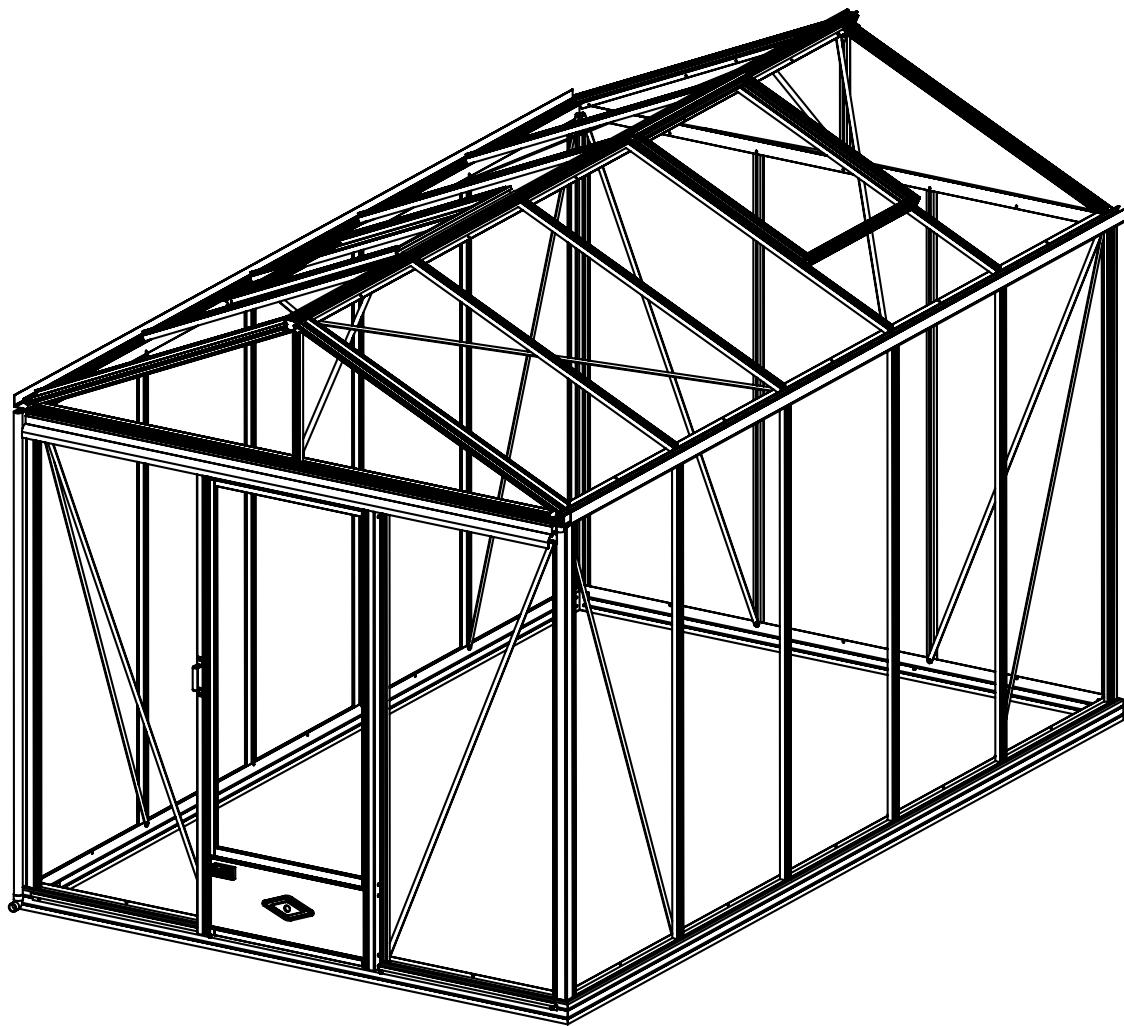
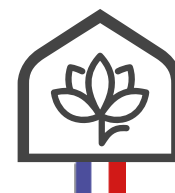


GREENHOUSE LUXIA

WIDTH 2,36 M



Assembly instruction compatible with the retro model



LAMS

French glasshouse designer & manufacturer since 1993

TABLE OF CONTENTS

• Recommendations	3-4	• Assembly of the roof corner profiles to the ridge	20
• Parts list of components	5	• Fastening the roof corner profiles, ridge and angle - overview	21
• Parts list of profiles	6-7	• Assembly of the ridge, ridge angle and windbraces - detailed view	22-23
• Choice of fixing your greenhouse to the ground	8	• Assembly of ridge angle	24
• Fixing on point foundation	9	• Assembly of the gable-ridge-reinforcement	25
• Fixing on strip foundation or concrete slab	10	• Installation of the glazing	26-27
• Assembly of the baseframe	11	• Information on the installation of the glazing and gasket	28
• Assembly of the wall corner profile - overview from above	12	• Installation of the upper door rail	29
• Assembly of the wall corner profiles - detailed view	13	• Assembly of the door	30-32
• Assembly of the crossbeams, wall profiles, gutter and windbraces	14	• Installation of the door	33
• Assembly of the crossbeams - detailed view	15	• Assembly of the roof window	34
• Assembly of the gutter - detailed view	16	• Installation of the roof window	35
• Assembly of the wall profiles and windbraces - detailed view	17	• Completion	36-37
• Assembly of the gable profiles	18	• Options & accessories	38-41
• Assembly of the roof corner profiles to the gutter	19		

ADDITIONAL INFORMATION FOR THE RETRO MODELL

Luxia Retro

Follow the assembly steps in these instructions with all wall, roof and gable profiles, as well as glass panes supplied. The number of profiles will be higher than on the visuals in these instructions: with the Retro version of this greenhouse, the glazing is 36 cm and not 73 cm wide. This means that an additional profile is needed between the wall, roof and gable profiles shown on the instructions, as well as under the windows (see indications on page 7).

RECOMMANDATIONS



IMPORTANT

Remember to declare your greenhouse to your insurer.

Please read these instructions carefully before starting with the assembly.

Please ensure that all the individual parts listed in these instructions are included in the scope of delivery and check the quantities.

Please follow the steps in the order given in the instruction manual.

Do not be surprised if you see some aluminium profiles that have $\varnothing 3$ mm small holes, although according to the instructions no holes are provided. These holes were used to hang the profiles in the spraying booth using a 3 mm steel wire.

SAFETY INSTRUCTIONS

Please wear gloves, shoes and protective goggles when assembling the greenhouse.

Take into account the safety instructions for the tools you use for this assembly.

Do not set up your greenhouse in bad weather (rain, wind, thunderstorms...).

The greenhouse must be assembled by a minimum of 2 people.

The plastic bags and small parts should be kept out of the reach of children. Keep children away from the assembly area.

Aluminium is an electrically conductive metal, keep the aluminium profiles away from all electrical sources.

Heat generating appliances (barbecue, burners, ...) must not be stored in the greenhouse.

The greenhouse must be placed and fixed on a horizontal and level floor, not exposed to the wind.

Make sure that there are no networks (water, electricity or gas) under the installation site.

Caution, do not climb onto the roof: risk of falling and serious injury.

In case of heavy snowfall, do not let the snow accumulate on the roof.

MAINTENANCE INSTRUCTIONS

Use clear soapy water to clean your greenhouse.

Do not use acetone, abrasive cleaners or other cleaning agents to clean the greenhouse.

Use the high-pressure cleaner from a safe distance.

Lubricate the door rail regularly.

Clear the roof of snow and leaves.

CUSTOMER SERVICE AND INFORMATION

Site internet : www.sav-egt-partners.com

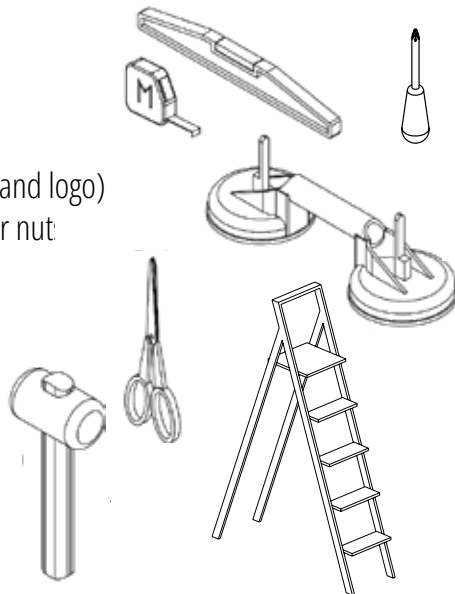
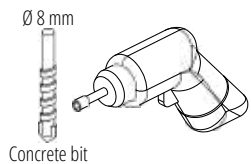
RECOMMENDATIONS

ACCESSORIES INCLUDED



NECESSARY TOOLS

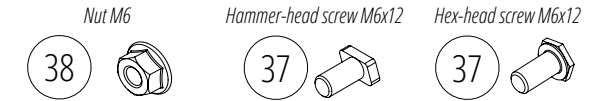
- Level
- Measuring tape
- Rubber mallet
- Scissors (to cut the gasket)
- Screwdriver
- Ø 8 mm wrench (for palmette and logo)
- Ø 13 mm wrench (for the roller nut)
- Cordless screwdriver
- Ladder



ASSEMBLING THE PROFILES OF YOUR GREENHOUSE

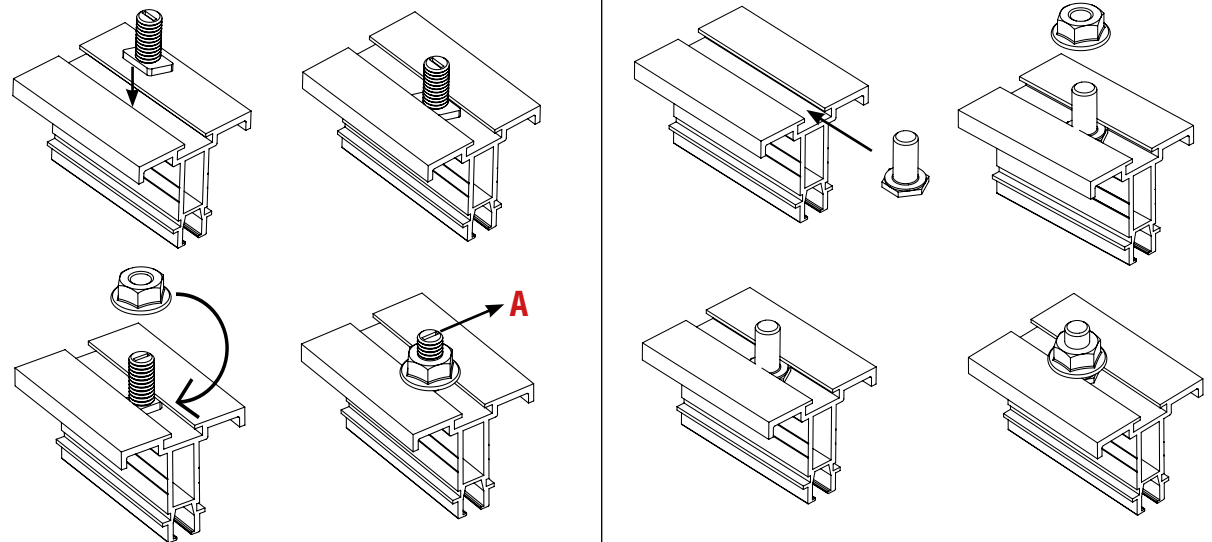
The M6 nuts (38) and screws (37) (hammer-head and hexagonal - 50% each) are essential components for the assembly.

The hammer-head screw can be inserted into your profile at any time. However, it must be ensured that the hammer-head screw is correctly placed, so that it does not fall out of the profile.

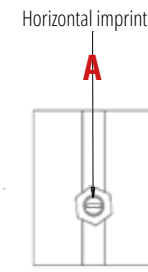


The hexagon head screw is inserted at one end of the profile and cannot be removed from the profile after assembly.

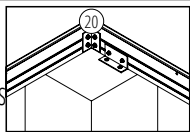
Favour hex-head screws as much as possible at the beginning of the assembly. On the instructions you will only find illustrations of the hammer-head screw (37), but you can use the screw of your choice.



At the foot of the hammer-head screw there is a slot. The perpendicular positioning of the slot to the the profile groove (visual **A**) ensures that the head of the screw is correctly inserted.

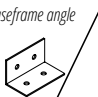
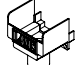



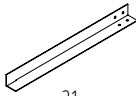


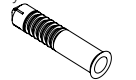

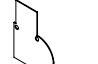





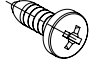



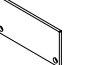
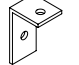



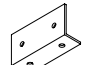


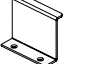



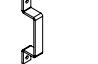


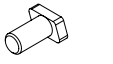






Indication of the instructions



PARTS LIST OF COMPONENTS

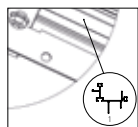
The 6-digit part number (ex.: 795526) enables identification of the components in case of exchanges with you and our customer service.

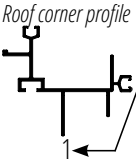
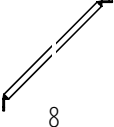
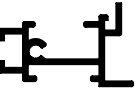
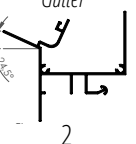
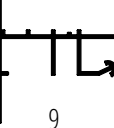
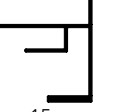
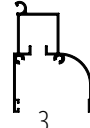
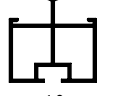
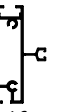
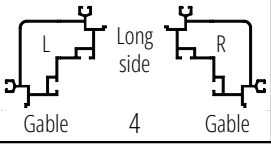

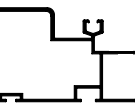

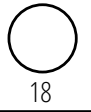
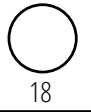

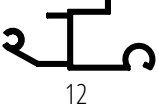
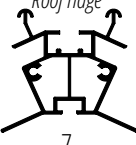

Component detail	Part number	Component detail	Part number	Component detail	Part number	Component detail	Part number	Component detail	Part number
 Baseframe angle 20 40 x 40 x 72,5 mm	795526	 Gutter outlet Ø 32 mm 29	795032	 Nut M6 38	789280	 Screw M5x60 for fastening angle 47	365548	 Rubber seal wall and roof profiles 56	794421
 Anchor 21 953909 L. 500 mm	953909	 LAMS logo 30	794995	 Plastic cover cap M6 black 39	365483	 Nylon dowel 8x40mm 48	365580	 Rubber seal lower window profile 57	795456
 Door rail cover 22	795214	 Palmette 31	363235	 Plastic cover cap Ø10 black (door) 40	795345	 Lens head screw 4,8x25mm 49	994742	 Rubber seal doors and windows 58	606162
 Ridge cover 23	953913	 Lens head screw 4,2x13mm 32	365423	 Door roller 41	954916	 Pipe angle 90° Ø 32mm 50	367140	 Fastener for 8 mm panels 59	795795
 Gutter endpiece 24	953907	 Ridge angle 33	794259	 Hexagonal drilling screw 6,3 x 25,4 42	365424	 Downpipe clamp Ø32mm 51	795337	This fastener is attached to the underside of the polycarbonate panel on the roof if you have selected this glazing option in your order.	
 Lower door panel 25 954933 662 x 267 mm	954933	 Fastening angle 34	364580	 Nut M8 43	365472	 Plastic cover cap M5 black 52	787551		
 Interior door handle 26	795213	 Small sealing brush - Upper door rail 35	952891	 Hex-head screw M8x12mm 44	795346	 Lens head drilling screw 4,8 x 25 mm 53	796735		
 Exterior door handle 27	795212	 Big sealing brush - Vertical door profiles 36	795344	 Disk Ø8x30 45	365500	 Hammer-head screw M6x18 54	365404		
 Manual window opener 28	953914	 Hammer-head screw M6x12 Hex-head screw M6x12 37	365401	 Hex-head screw M5x8mm for palmette and logo 46	364408	 Hex-head screw M6x20 (2 windows) 55	624245		

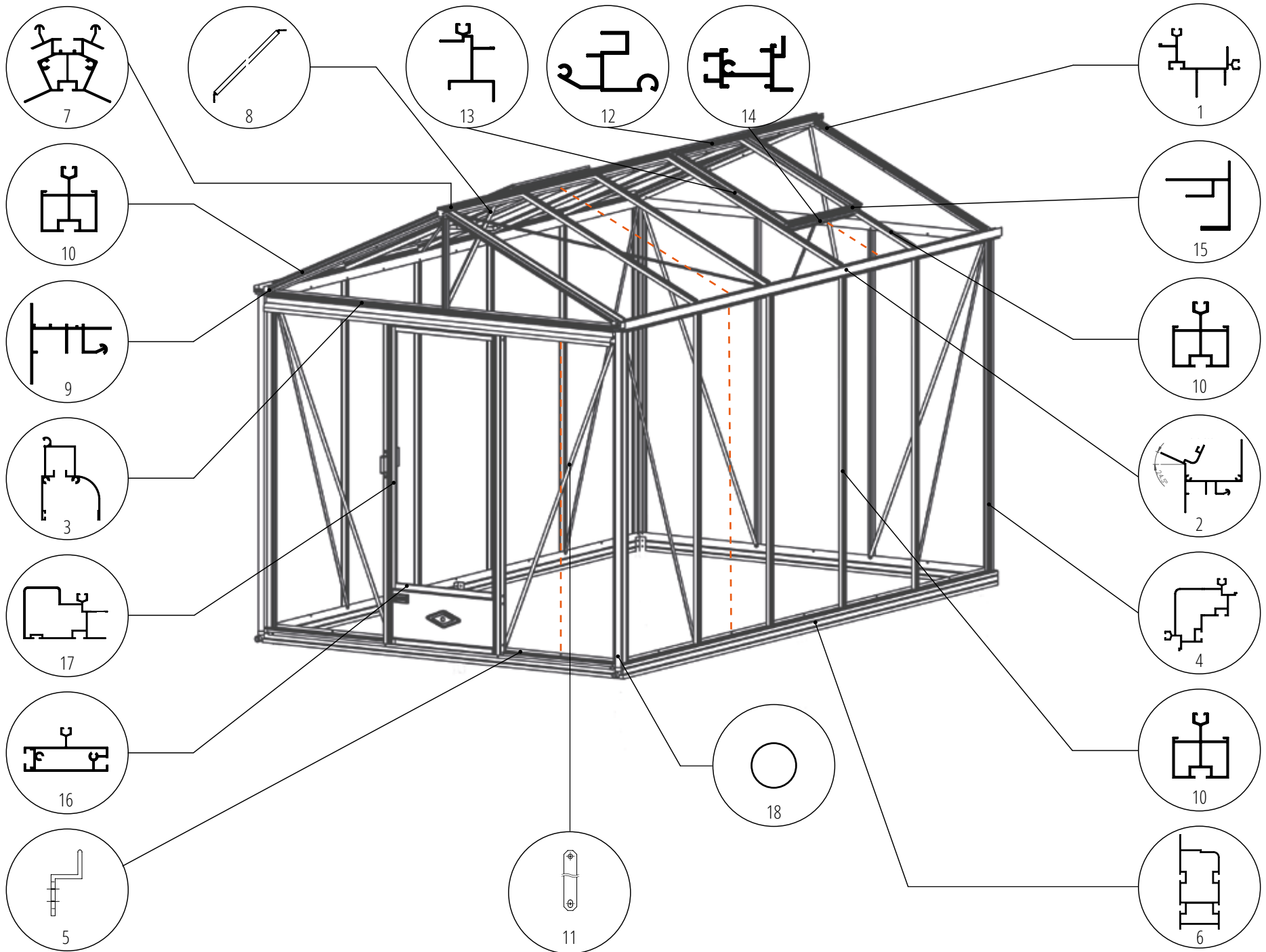
PART LIST OF PROFILES

The 6-digit part number (ex.: 952900) enables identification of the components in case of exchanges with you and our customer service.

Indication of the instructions



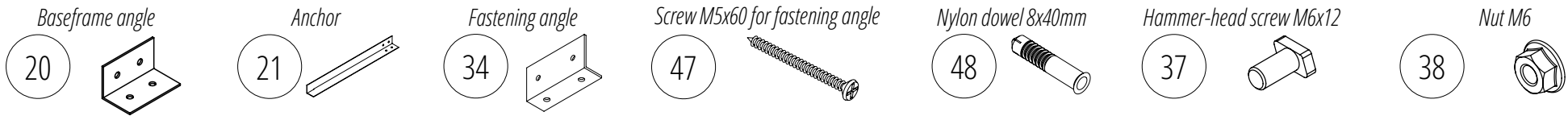
Component detail	Part number	Component detail	Part number	Component detail	Part number
 <p>Roof corner profile</p>	952900 L. 1223 mm	 <p>Gable-ridge-reinforcement Ø 20 mm</p>	954922 x 2 pcs L. 695 mm	 <p>Lower window profile</p>	952905 L. 731 mm
 <p>Gutter</p>	Greenhouse L. 3,09 m : 795484 Greenhouse L. 3,80 m : 954928 Greenhouse L. 4,57 m : 952899 Greenhouse L. 5,30 m : 954941 Greenhouse L. 6,04 m : 954942	 <p>Crossbeam</p>	954939 x 2 pcs L. 2252 mm	 <p>Window stopper profile</p>	953906 L. 763 mm
 <p>Upper door rail</p>	795225 L. 2247 mm	 <p>Wall and roof profile</p>	Number of pcs depending on greenhouse length Wall: 952895 - L. 1838 mm Roof: 954932 - L. 1223 mm Gable: 954940 x 2 pcs - L. 520 mm	 <p>Door intermediate profile</p>	954936 L. 661 mm
 <p>Wall corner profile (right/left)</p>	Facing the greenhouse Left side (L): 953897 L. 1838 mm Right side (R): 952896 L. 1838 mm	 <p>Windbraces wall/roof</p>	Greenhouse L. 3,09 m / 3,80 m / 4,57 m Roof beam: 954917 L. 1884 mm x 4 pcs Wall beam: 953915 L. 1985 mm x 8 pcs	 <p>Door side profile L/R</p>	Left side: 952909 L. 1798 mm Right side: 952910 L. 1798 mm
 <p>Lower door rail</p>	954935 L. 2238 mm	 <p>Aluminium downpipe Ø 32 mm</p>	Greenhouse L. 5,30 m / 6,04 m Roof beam: 795839 L. 2497 mm x 4 pcs Wall beam: 953915 L. 1985 mm x 8 pcs		953908 L. 1895 mm
 <p>Baseframe</p>	Greenhouse L. 3,09 m : 952894 Greenhouse L. 3,80 m : 954923 Greenhouse L. 4,57 m : 952893 Greenhouse L. 5,30 m : 954945 Greenhouse L. 6,04 m : 954946	 <p>Upper window profile</p>	952904 L. 770 mm		
 <p>Roof ridge</p>	Greenhouse L. 3,09 m : 795483 Greenhouse L. 3,80 m : 954929 Greenhouse L. 4,57 m : 952902 Greenhouse L. 5,30 m : 954943 Greenhouse L. 6,04 m : 954944	 <p>Side window profile</p>	952903 L. 810 mm		



--- Indications for additional profiles for Luxia Retro greenhouses

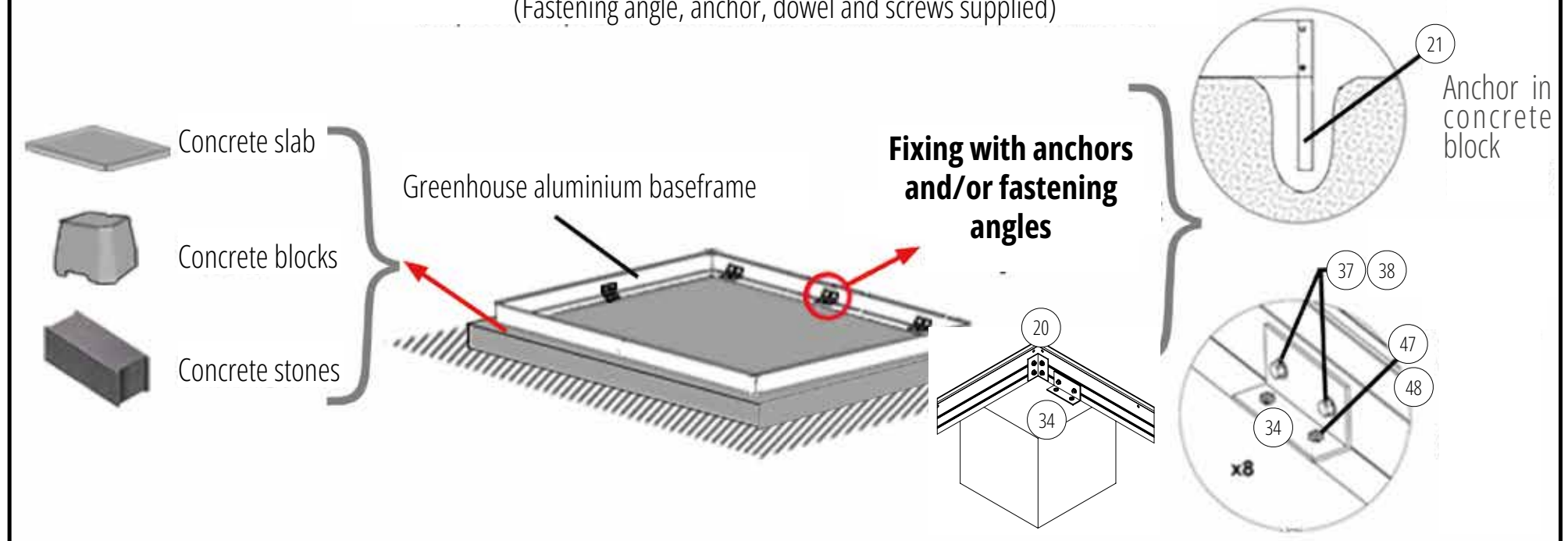
CHOICE OF FIXING YOUR GREENHOUSE TO THE GROUND

All the necessary parts are supplied to set up your greenhouse on a concrete slab, on concrete blocks (point foundation) or on a concrete frame (strip foundation). Whichever you choose, it is imperative that your greenhouse is erected on a level surface. Before attaching your foundation frame to the foundation of your choice, check that the two diagonals of your foundation frame are at right angles.



FIXING ON CONCRETE SLAB, POINT OR STRIP FOUNDATION

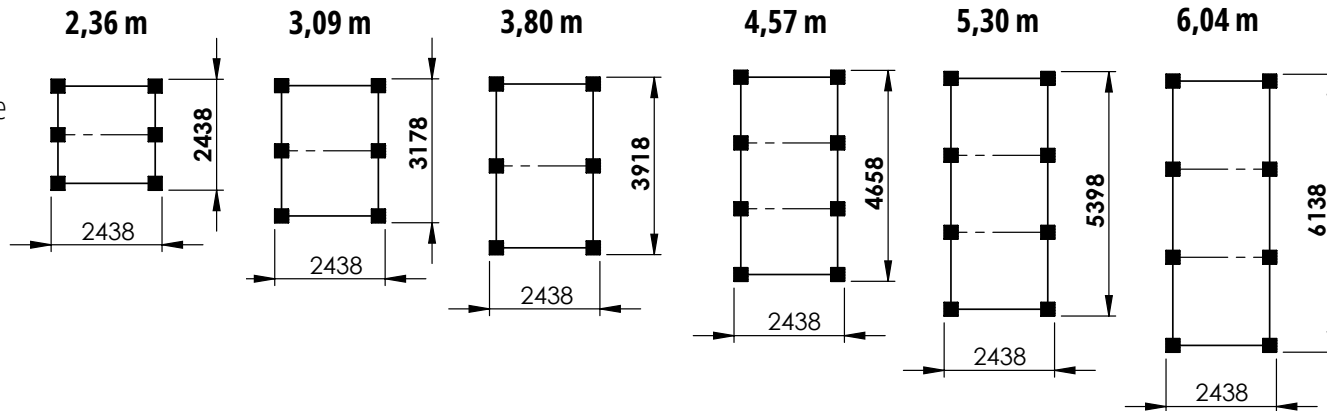
(Fastening angle, anchor, dowel and screws supplied)



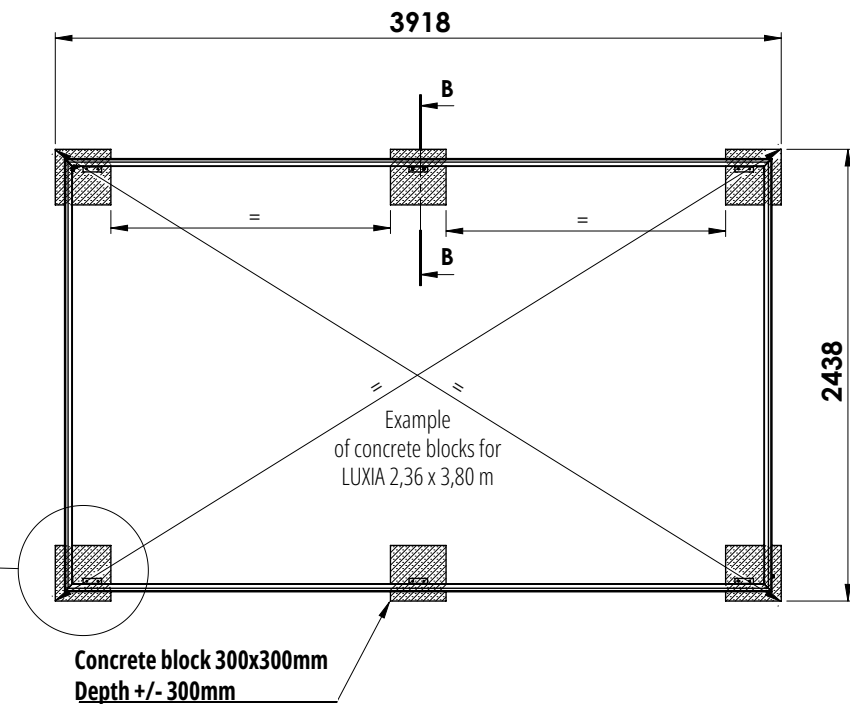
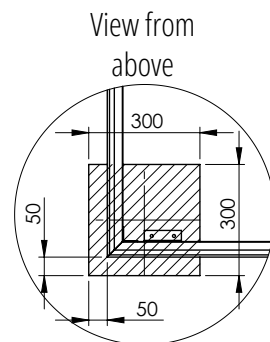
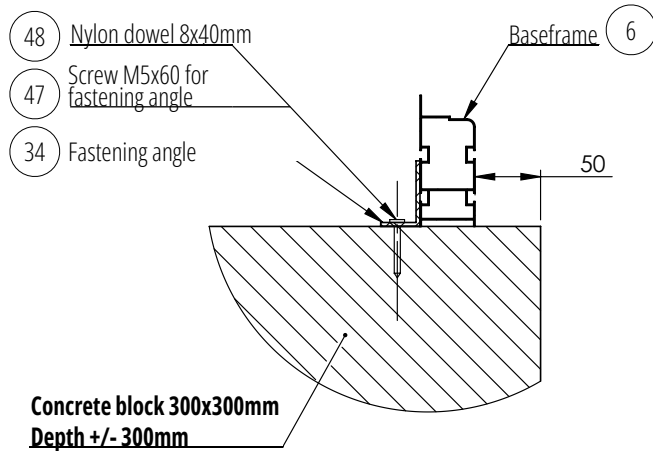
FIXING ON POINT FOUNDATION

2,36 m greenhouse width

According to the greenhouse length

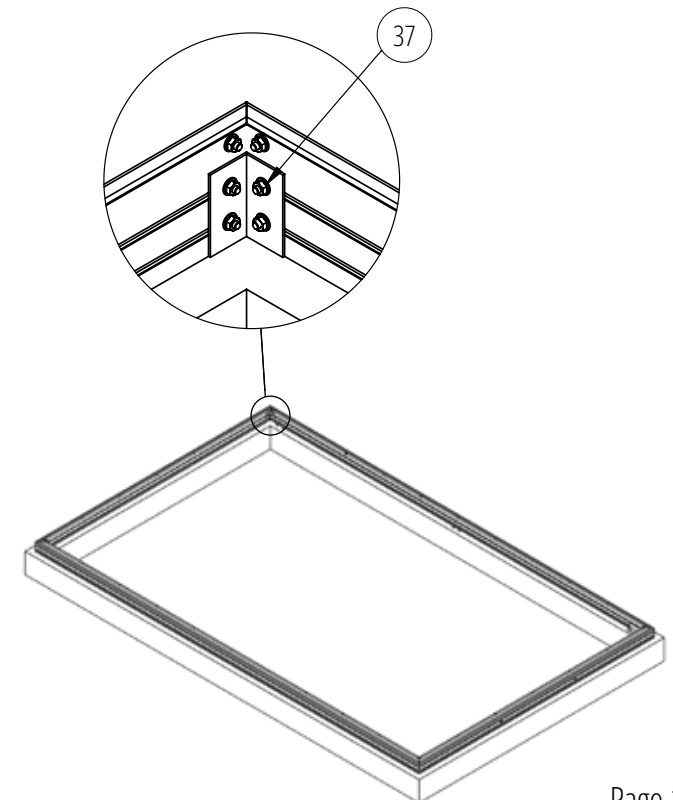
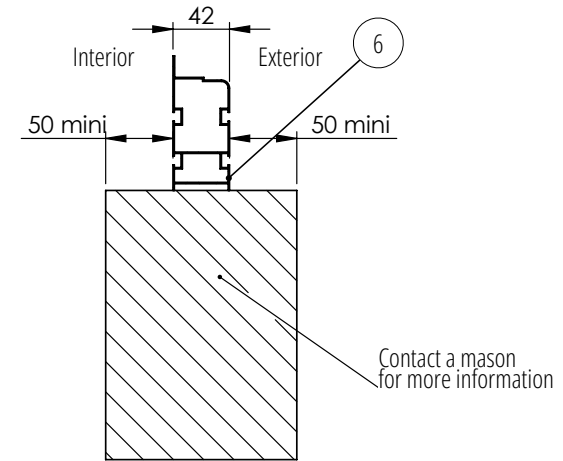
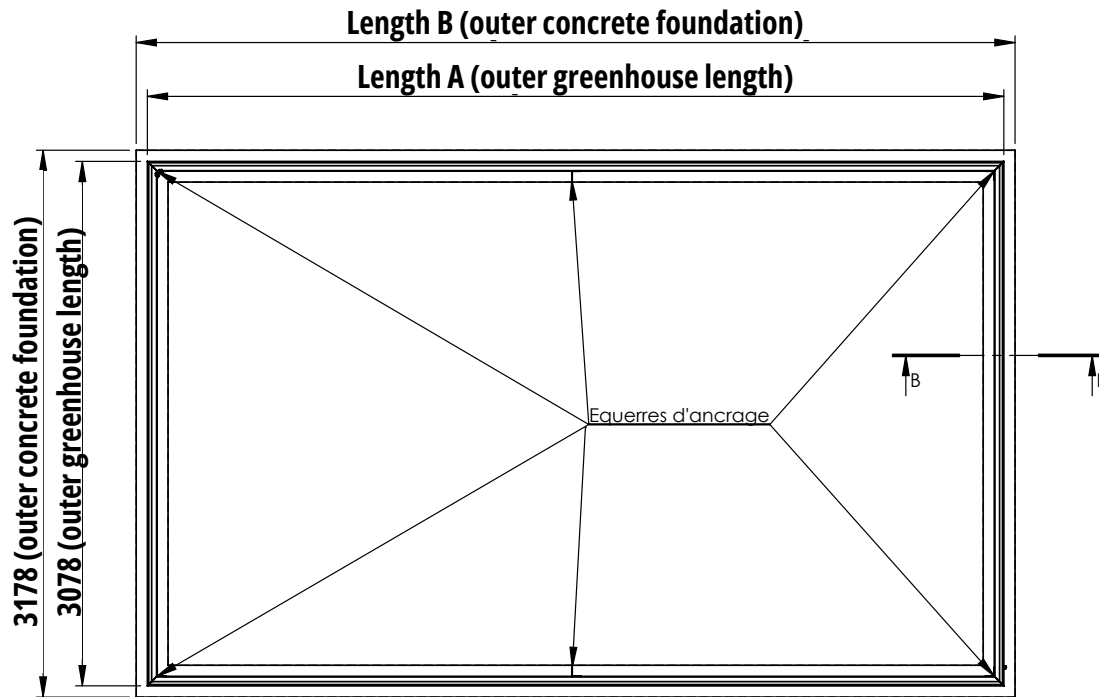


View B-B
Scale 1 : 10



FIXING ON STRIP FOUNDATION OR CONCRETE SLAB

2,36 m greenhouse width



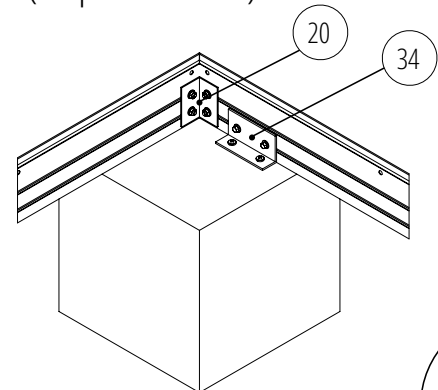
Greenhouse length	2,36 m	3,09 m	3,80 m	4,57 m	5,30 m	6,04 m
Length A (mm)	2338	3078	3818	4558	5298	6038
Length B (mm)	2438	3178	3918	4658	5398	6138

ASSEMBLY OF THE BASEFRAME

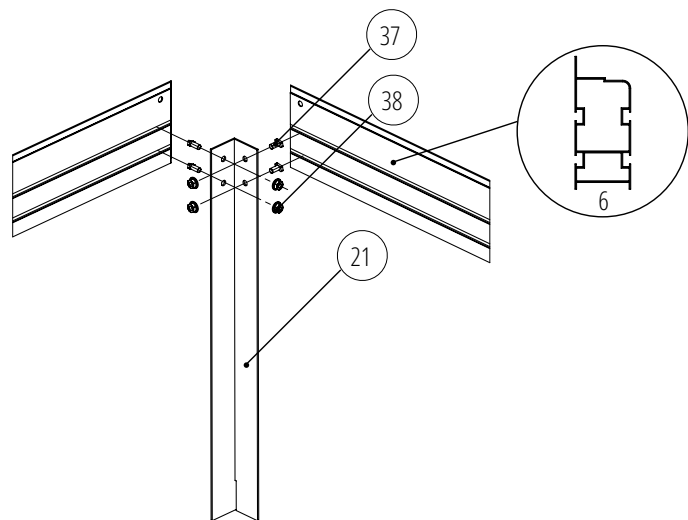
Case 1 with anchor in the corners and fastening angles on the sides in and on concrete blocks (point foundation).



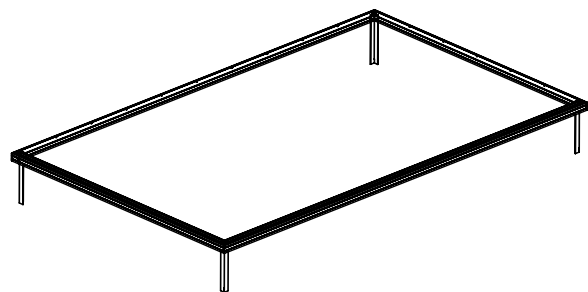
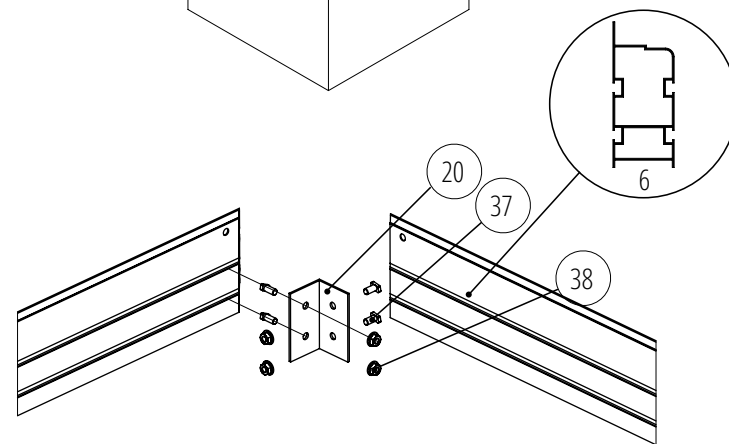
Case 2 with fastening angles on concrete blocks (point foundation), concrete frame (strip foundation) or concrete slab.



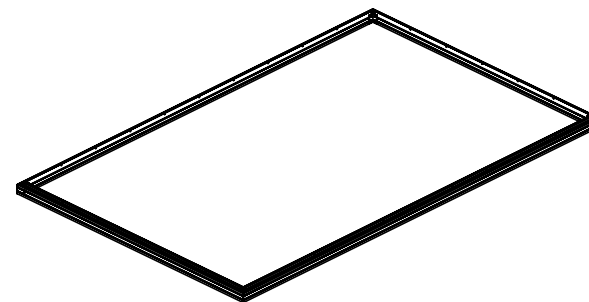
End result



Assembling the baseframe at the corners



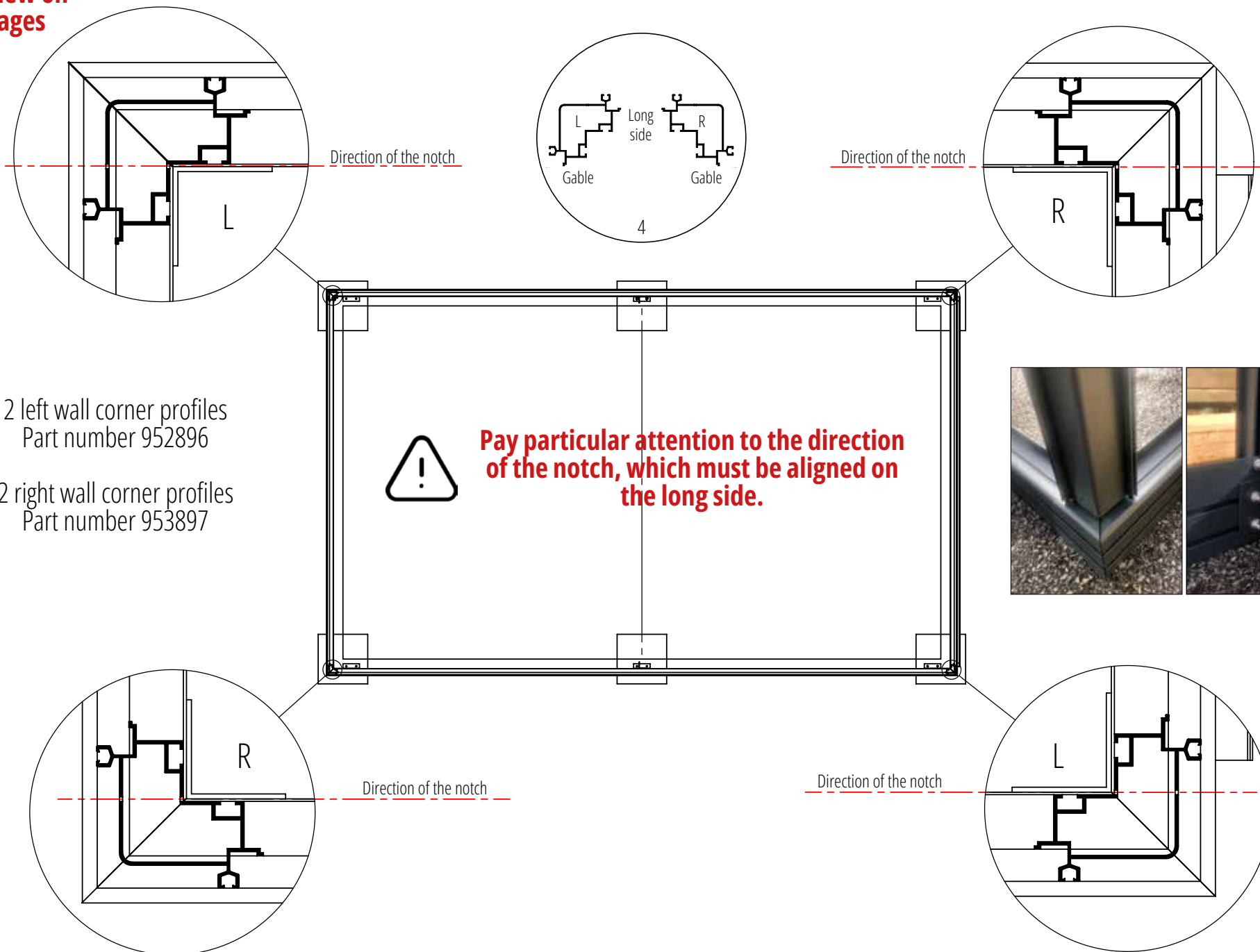
Overview



Fix your baseframe permanently after complete assembly of the aluminium structure (except doors and windows) on a flat and right-angled surface.

Detailed view on
the next pages

ASSEMBLY OF THE WALL CORNER PROFILE - OVERVIEW FROM ABOVE

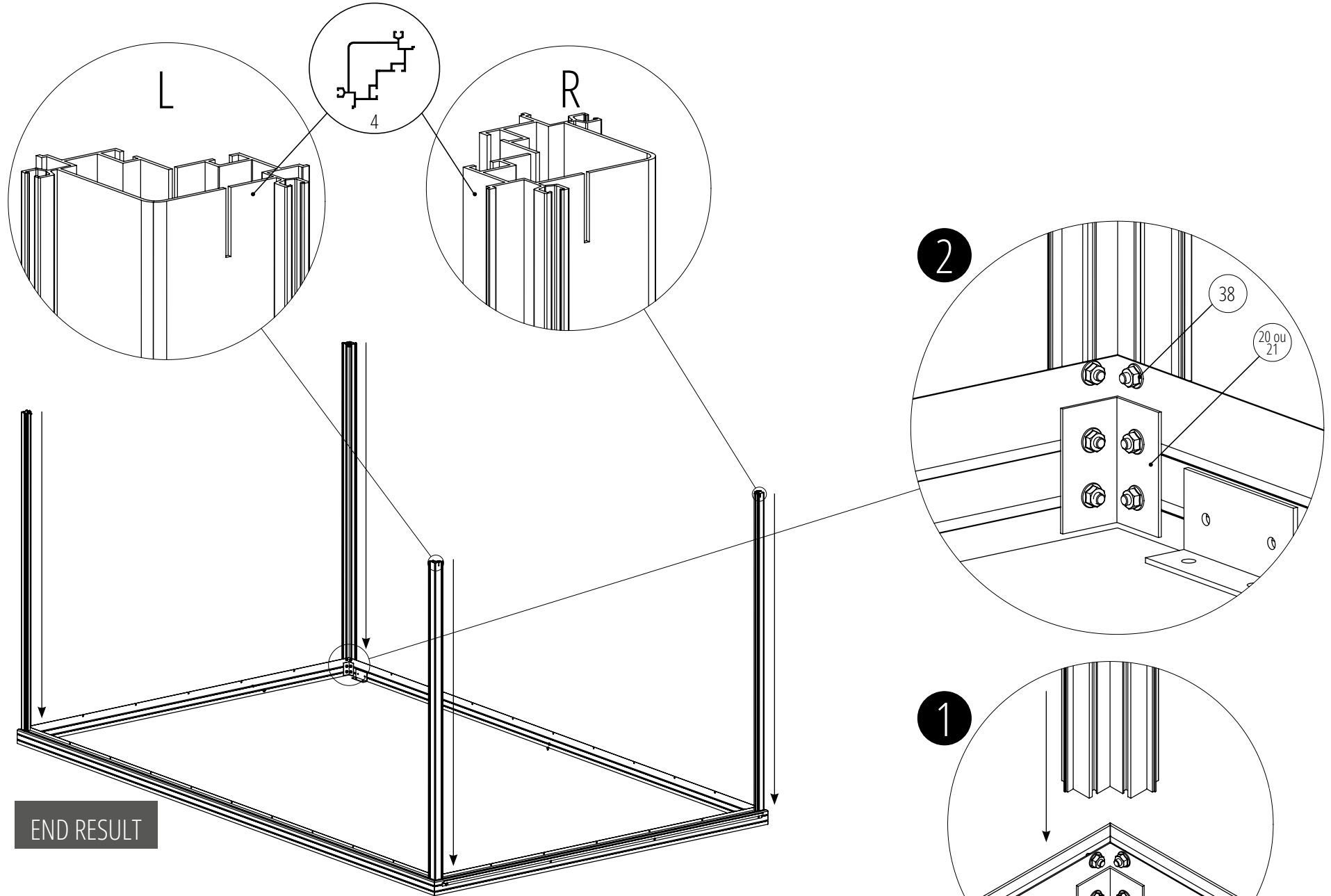


2 left wall corner profiles
Part number 952896

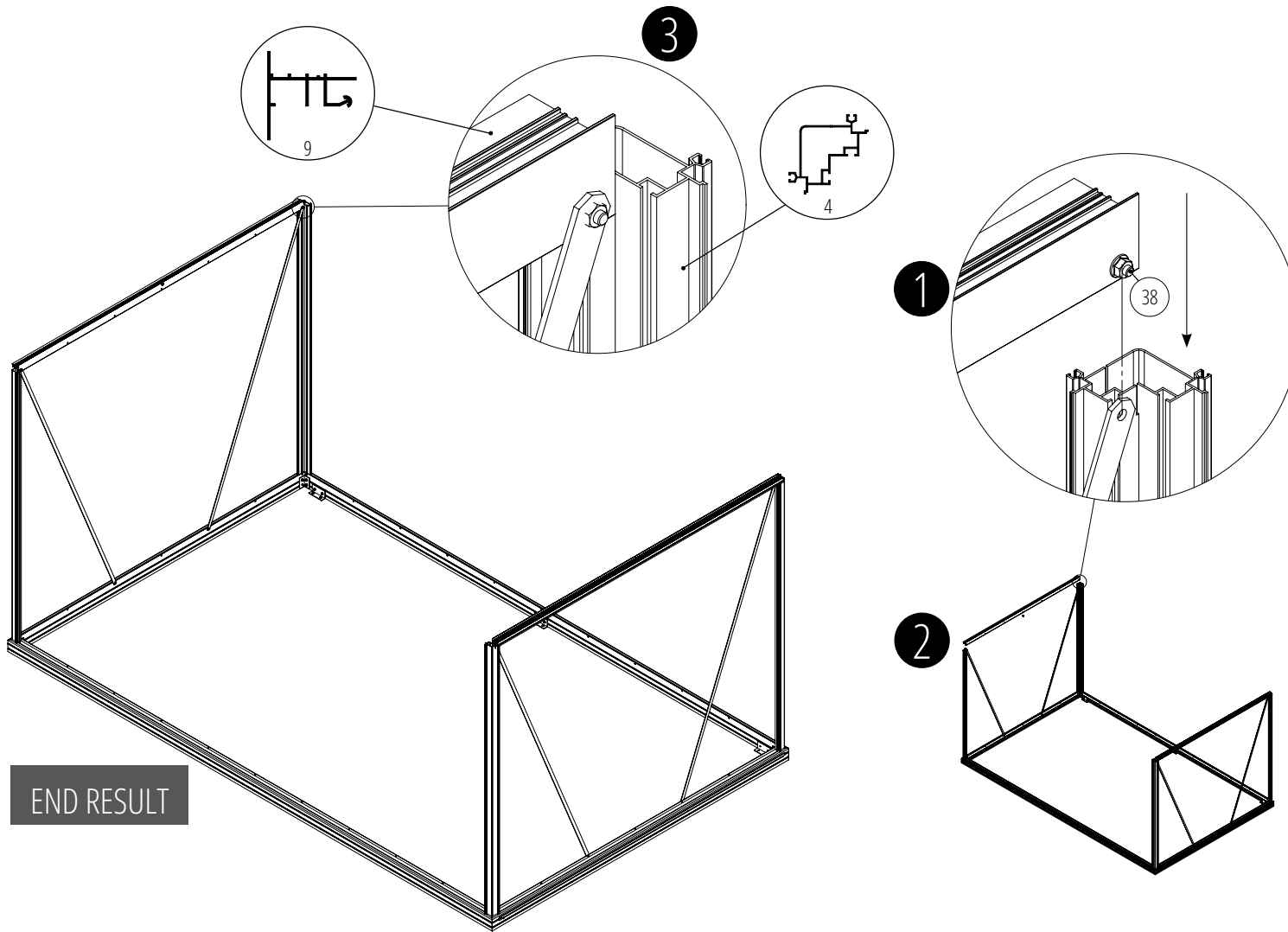
2 right wall corner profiles
Part number 953897



ASSEMBLY OF THE WALL CORNER PROFILES - DETAILED VIEW



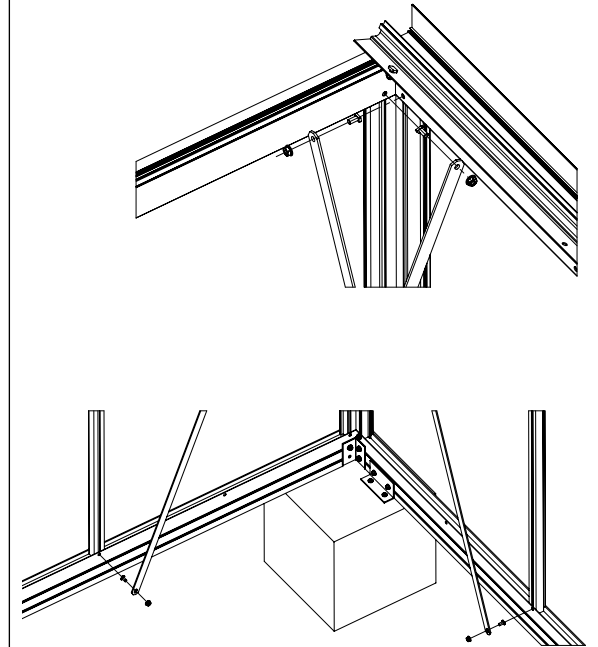
ASSEMBLY OF THE CROSSBEAMS - DETAILED VIEW



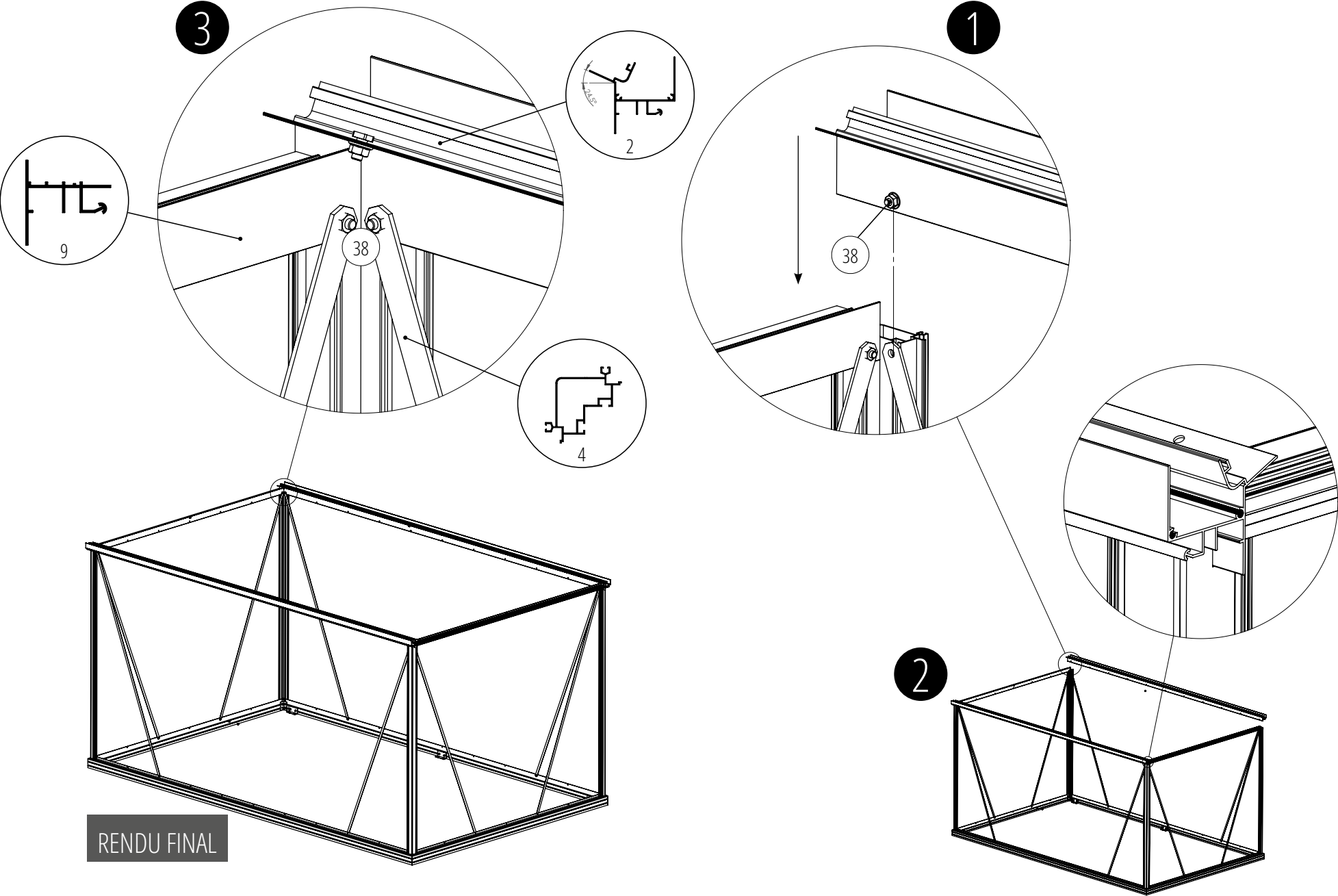
END RESULT



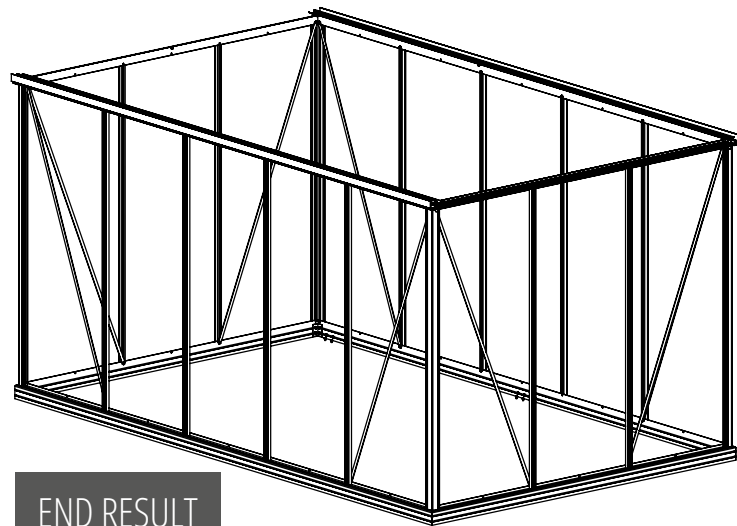
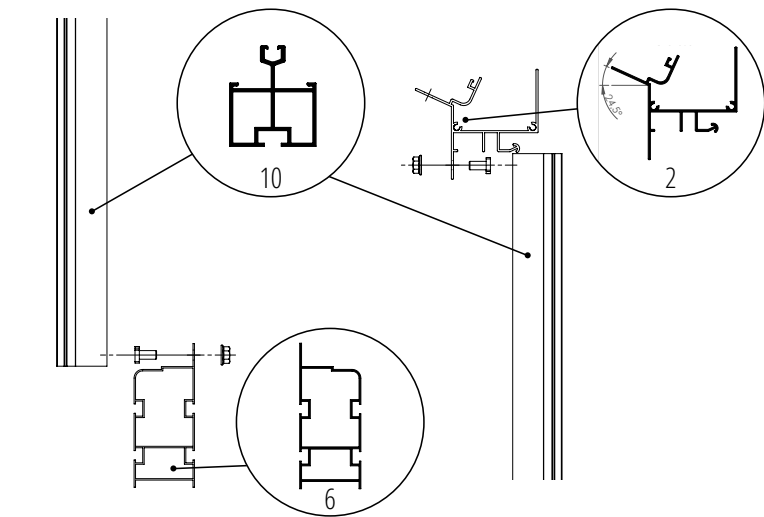
Screw the windbraces to the same nuts that are attached to the base-frame, the wall profiles, the crossbeams and the rain gutter.



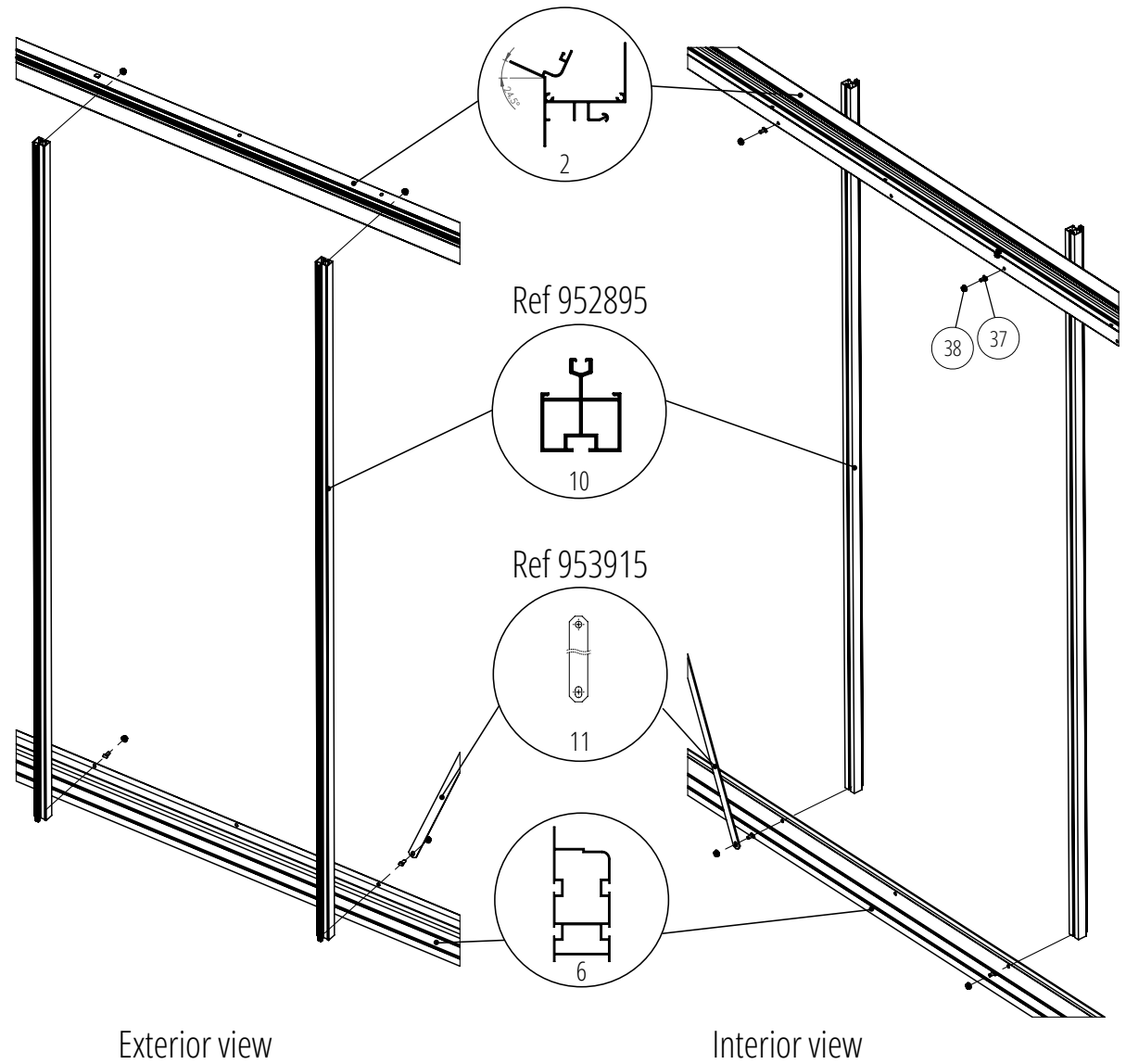
ASSEMBLY OF THE GUTTER - DETAILED VIEW



ASSEMBLY OF THE WALL PROFILES AND WINDBRACES - DETAILED VIEW



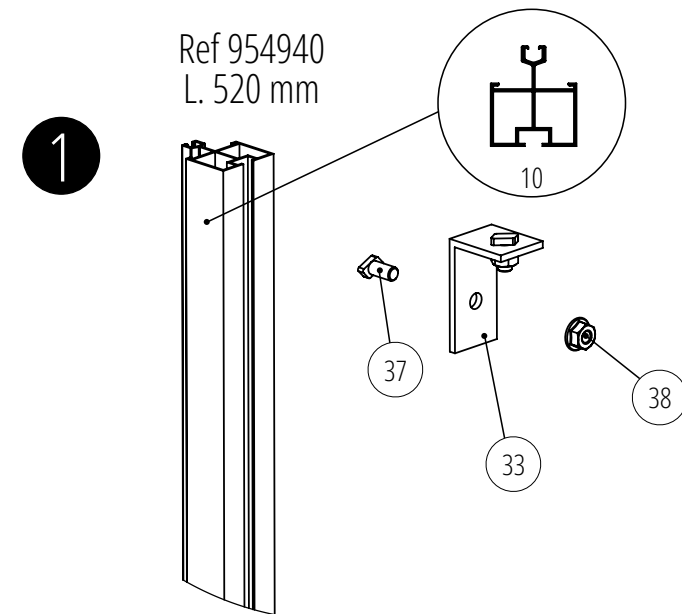
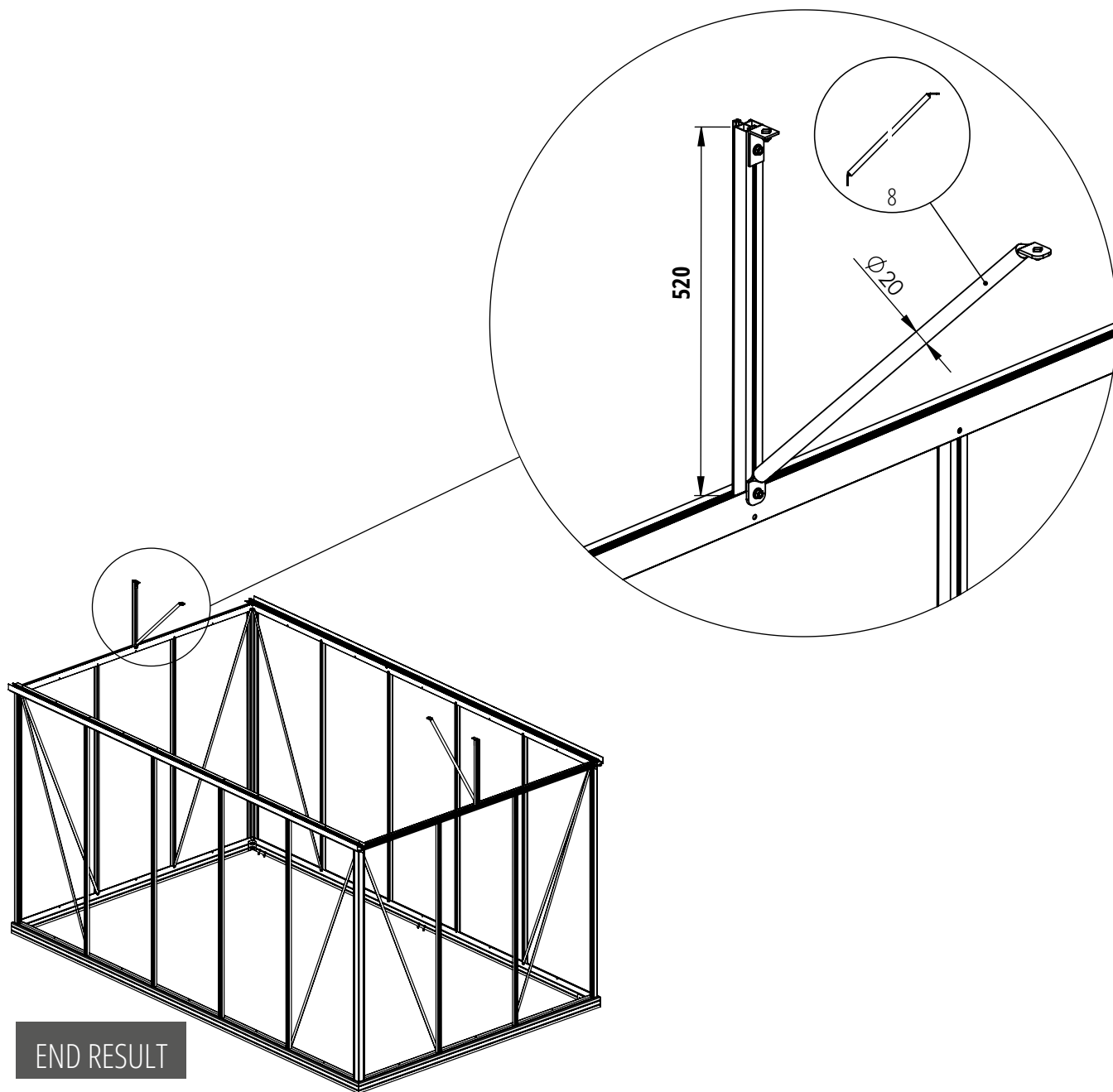
END RESULT



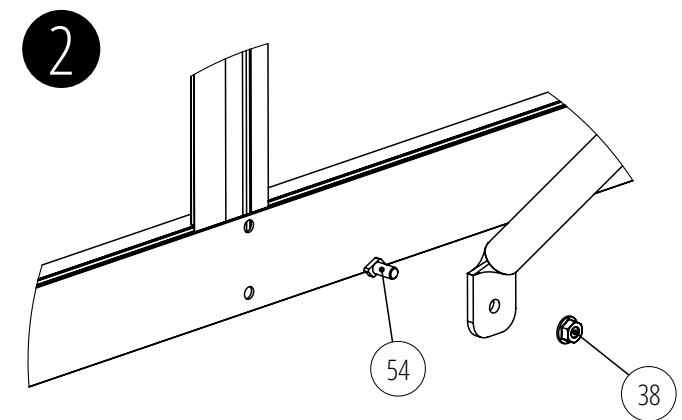
Exterior view

Interior view

ASSEMBLY OF THE GABLE PROFILES

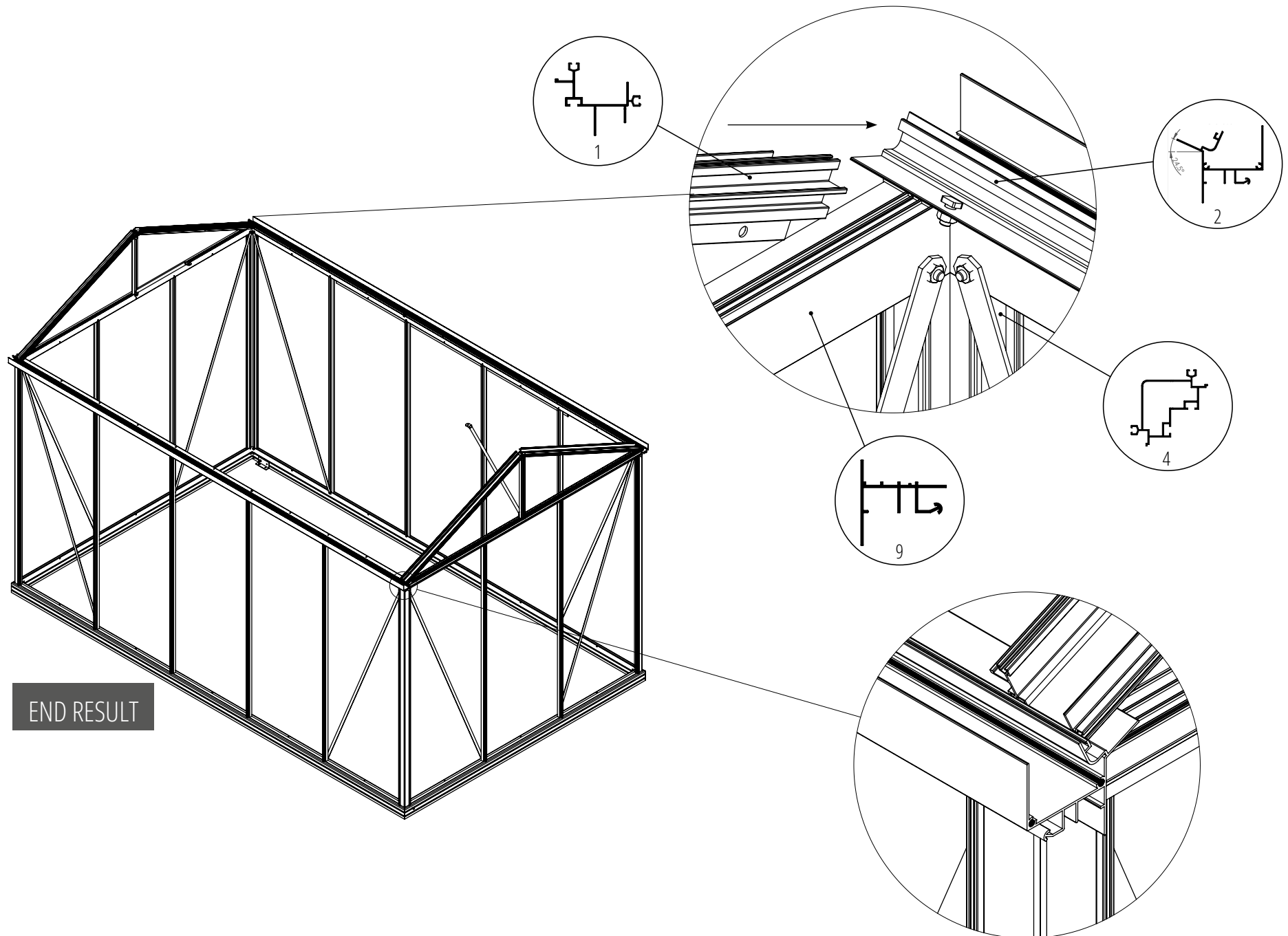


Mount the ridge angle on the gable profile



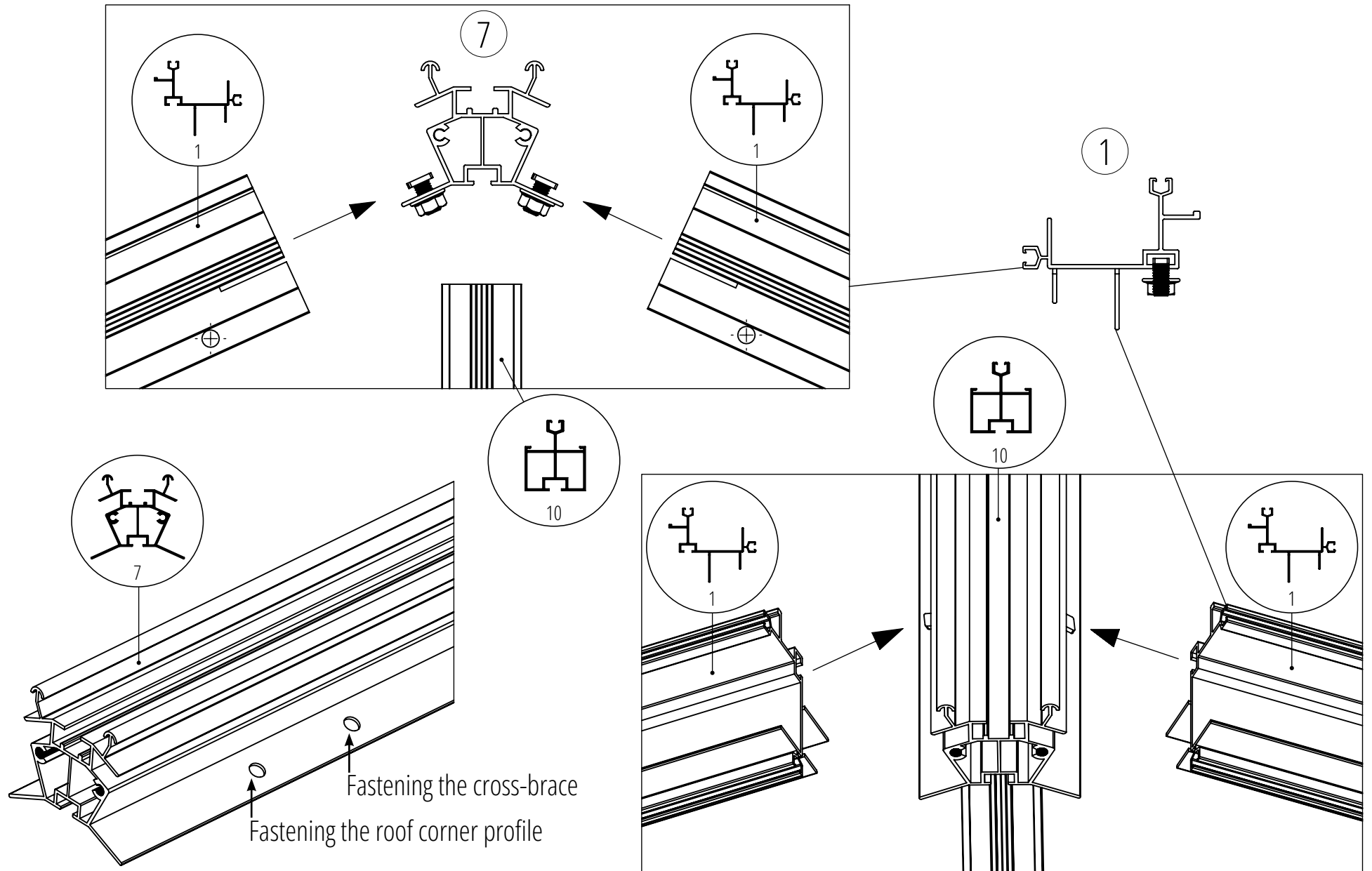
Screw the gable-ridge-reinforcement and gable profile on the crossbeam

ASSEMBLY OF THE ROOF CORNER PROFILES TO THE GUTTER



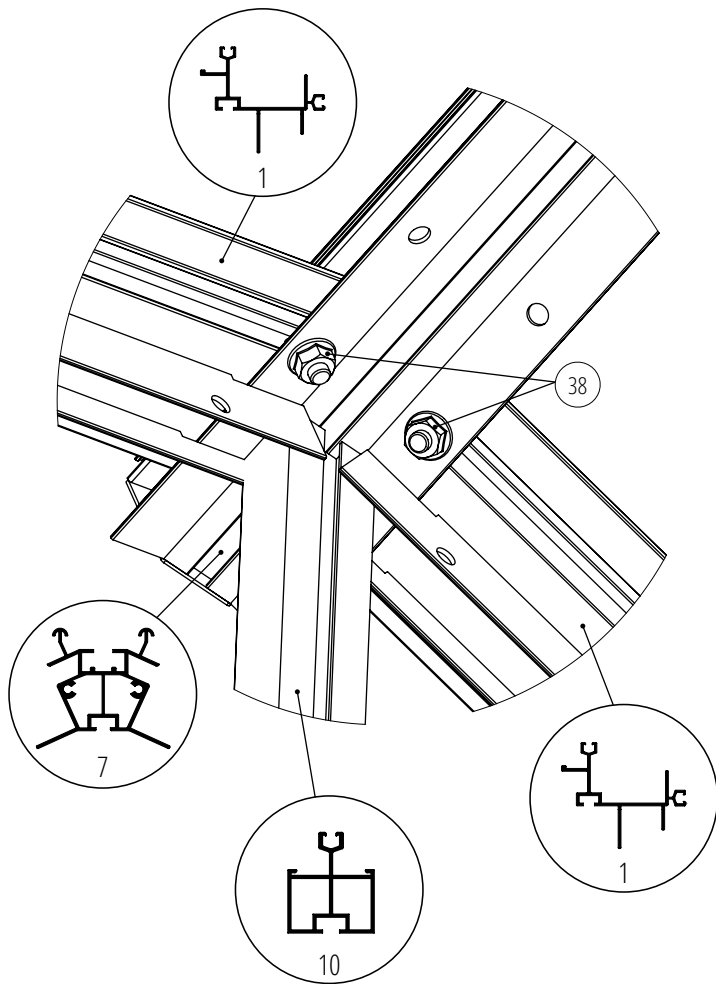
END RESULT

ASSEMBLY OF THE ROOF CORNER PROFILES TO THE RIDGE

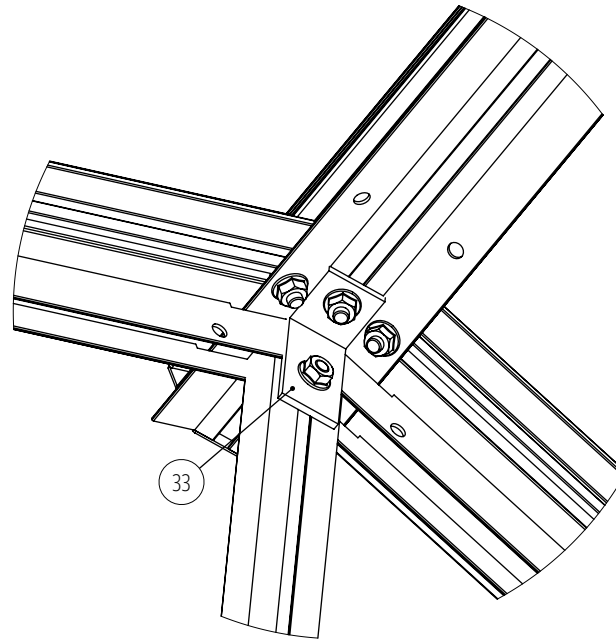


FASTENING THE ROOF CORNER PROFILES, RIDGE AND ANGLE - OVERVIEW

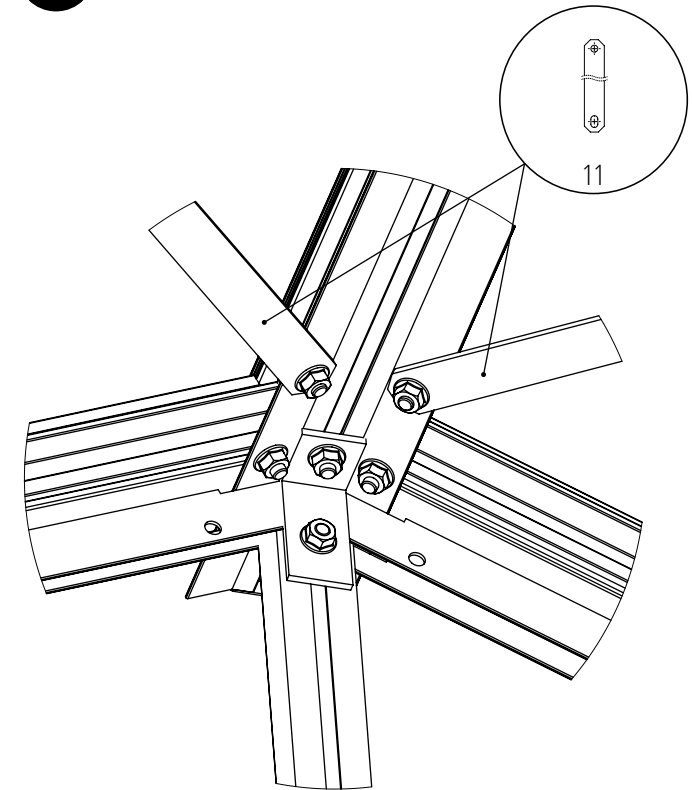
1 Screw nuts tightly:



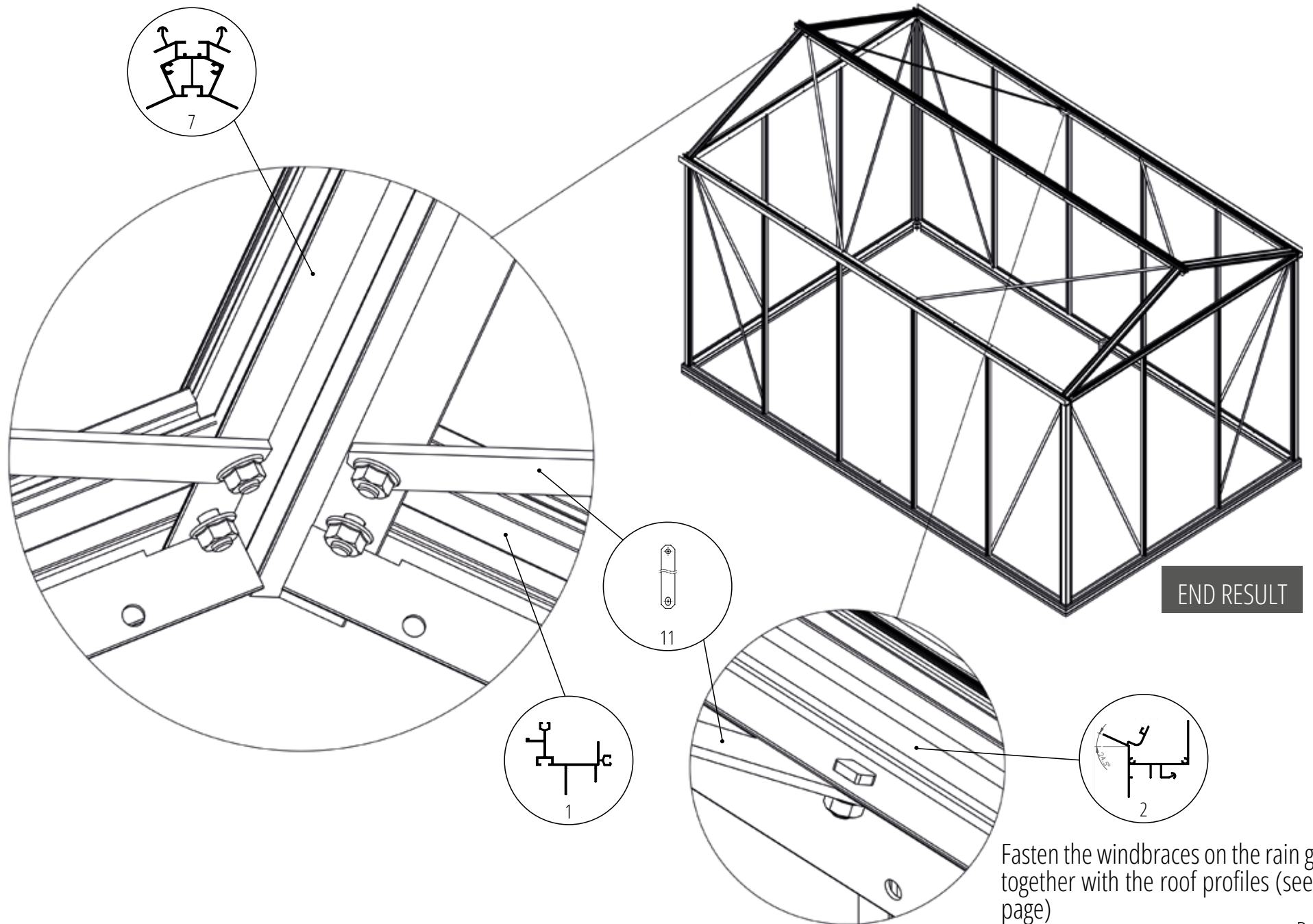
2 Fasten the ridge angle:



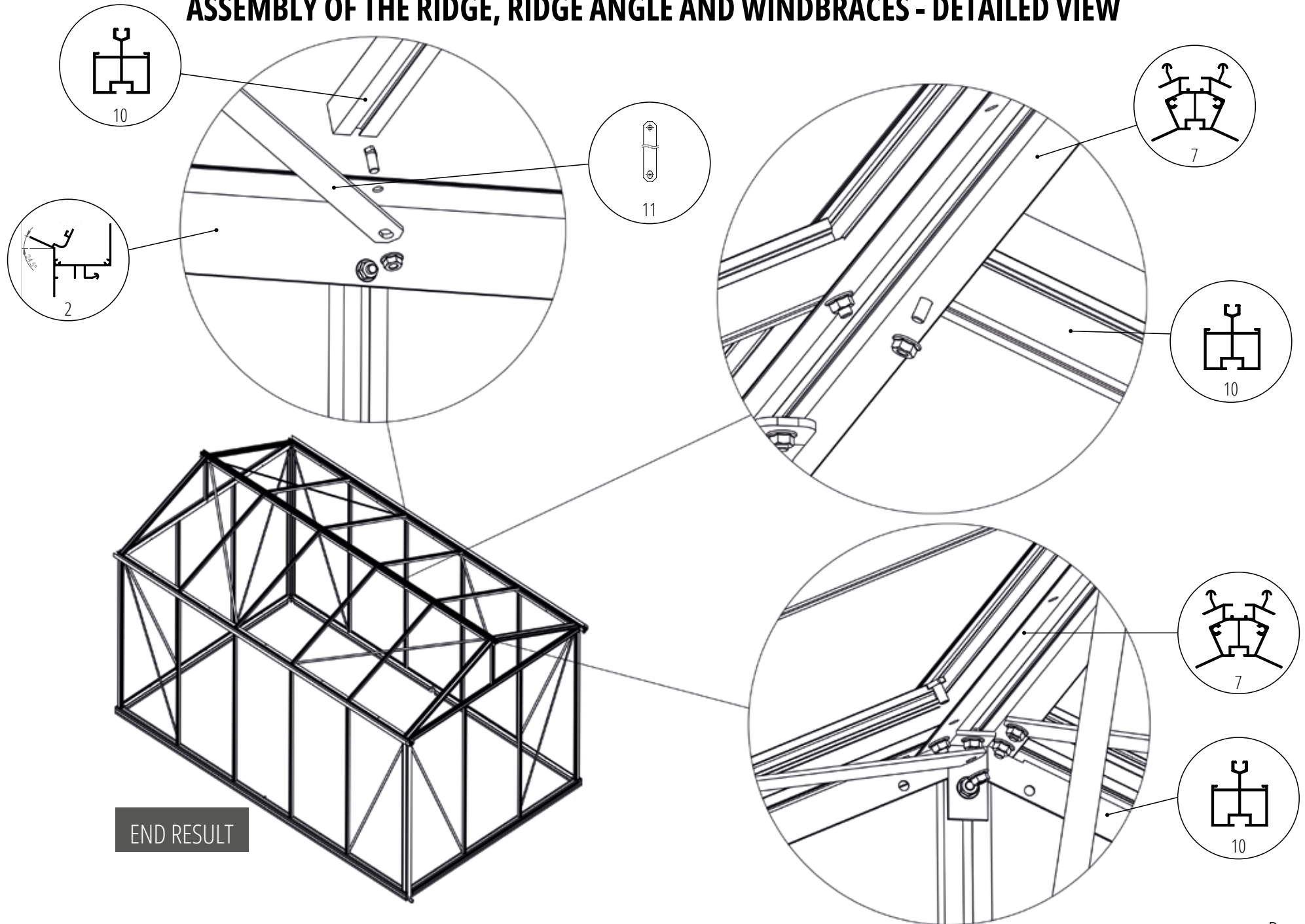
3 Install the windbraces:



ASSEMBLY OF THE RIDGE, RIDGE ANGLE AND WINDBRACES - DETAILED VIEW

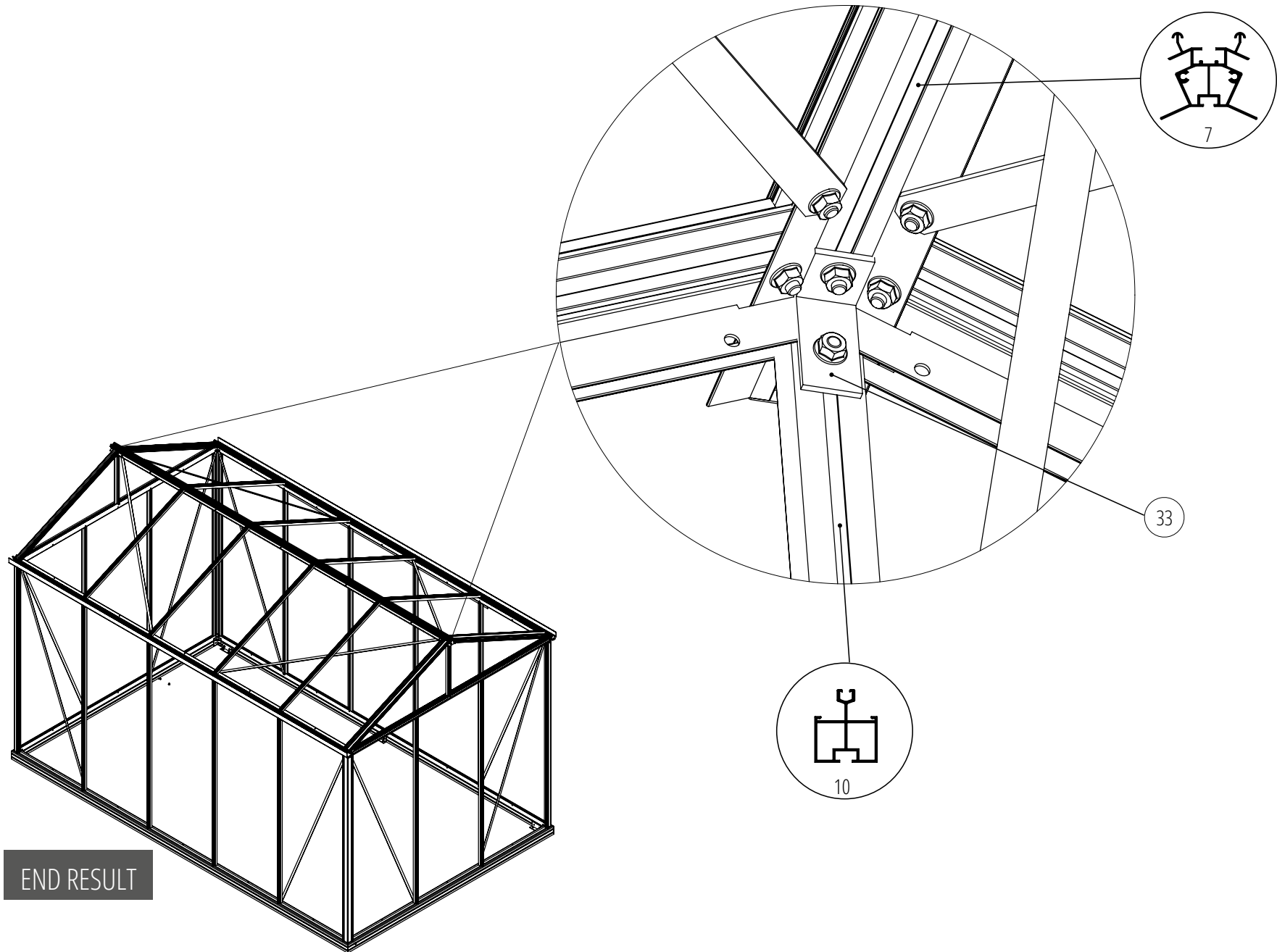


ASSEMBLY OF THE RIDGE, RIDGE ANGLE AND WINDBRACES - DETAILED VIEW



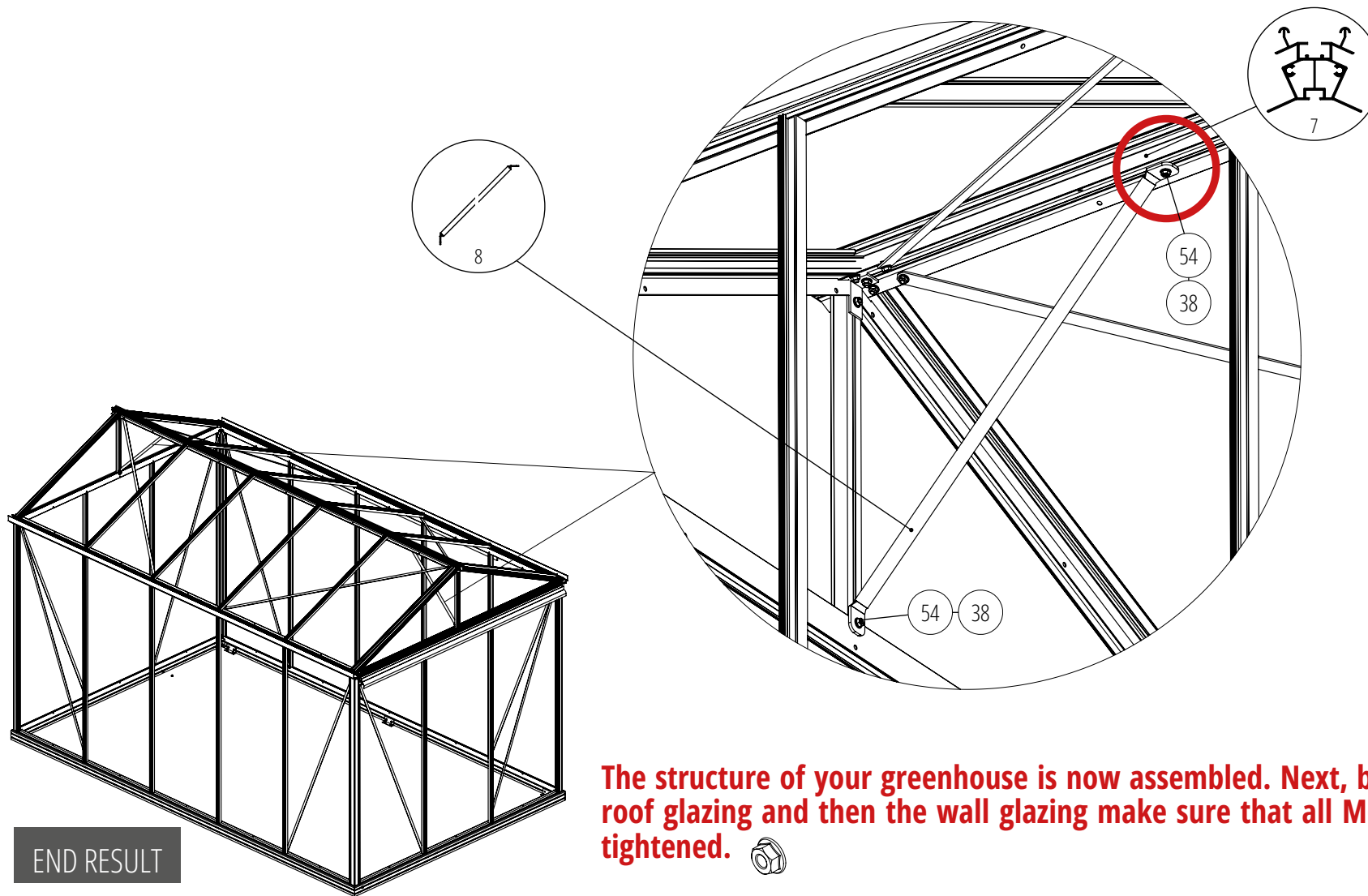
END RESULT

ASSEMBLY OF RIDGE ANGLE



END RESULT

ASSEMBLY OF THE GABLE-RIDGE-REINFORCEMENT



The structure of your greenhouse is now assembled. Next, before installing the roof glazing and then the wall glazing make sure that all M6 nuts are properly tightened. 

It is possible that the windbraces are not fully tensioned. The tension will occur as soon as the glazing is installed.

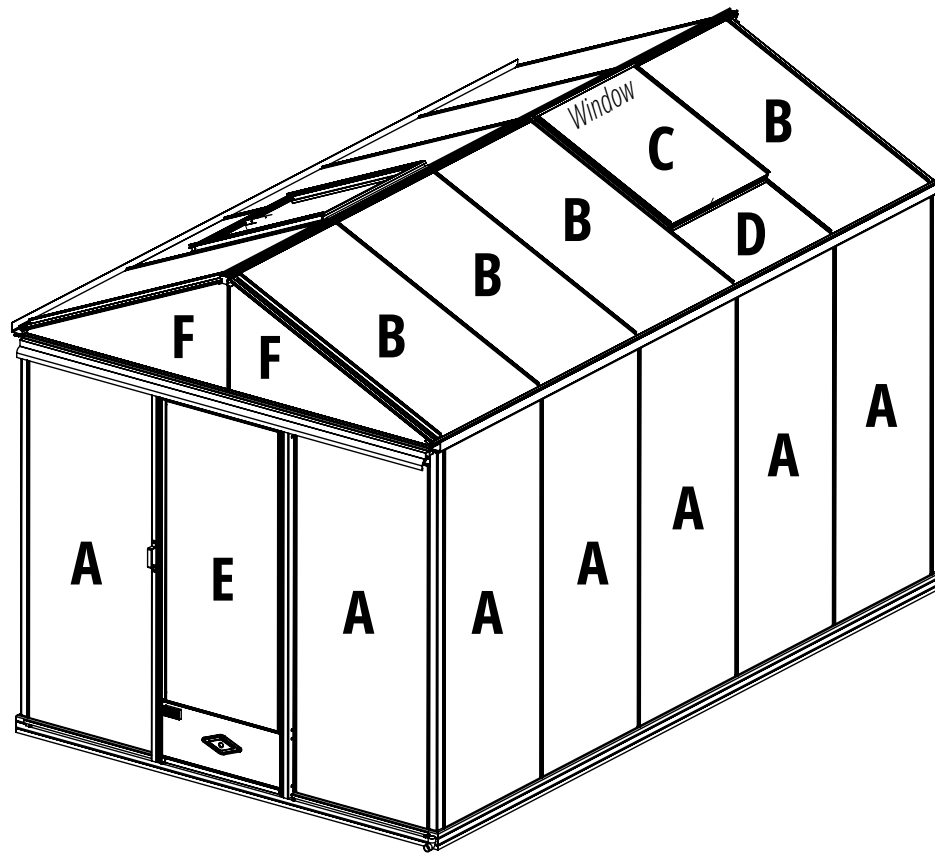
You can now start attaching the roof glazing.

INSTALLATION OF THE GLAZING

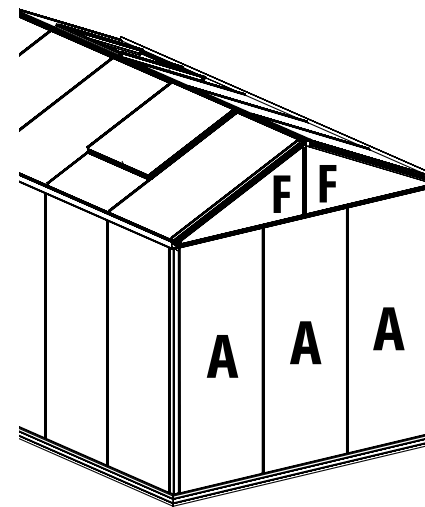
Here you can see the list of the individual glass panes (according to your choice 4 mm transparent tempered glass, 4 mm hammered glass or 8 mm panels).

If you have replaced the tempered glass glazing with polycarbonate panels, the installation method remains the same. Please note that for the installation of the roof glazing you need to install the fastener (59) at the bottom end of the panels (see picture below).

The open spaces provided by the roof windows allow you to access the profiles at the ridge to install the roof glazing and sealing.



Fastener (59)



Behind view

Marker	Size in mm
A	1850 x 730 mm
B	1242 x 730 mm
C	825 x 730 mm
D	Under + Window glass 420 x 730 mm
E	1450 x 660 mm
F	1115 x 520 mm

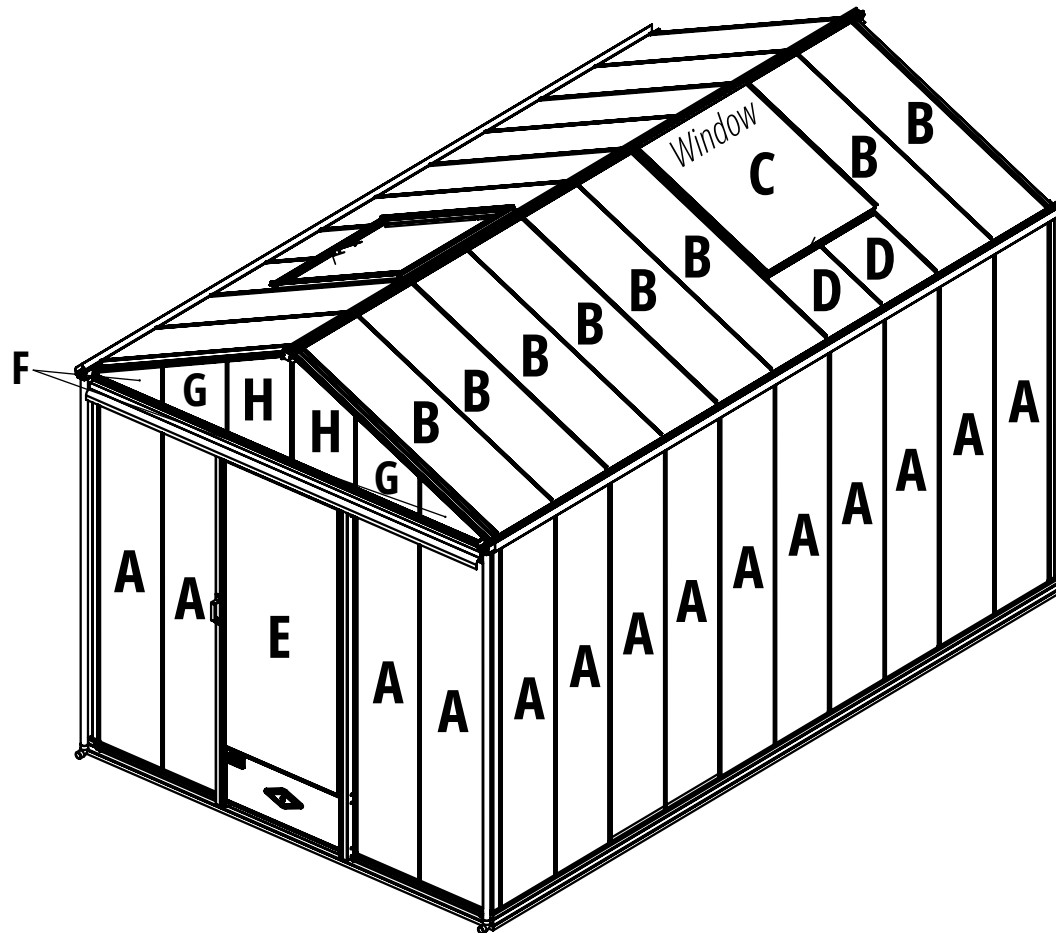
Use the suction cup provided when placing the glazing. Make sure that you pick up the glasses well with the suction cup.

INSTALLATION OF THE GLAZING - RETRO MODELL

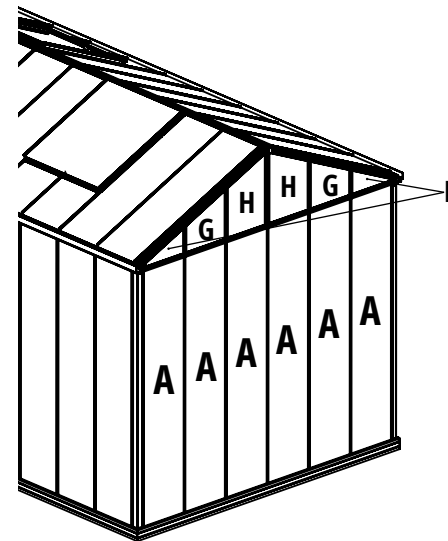
Here you can see the list of the individual glass panes (according to your choice 4 mm transparent tempered glass, 4 mm hammered glass or 8 mm panels).

If you have replaced the tempered glass glazing with polycarbonate panels, the installation method remains the same. Please note that for the installation of the roof glazing you need to install the fastener (59) at the bottom end of the panels (see picture below).

The open spaces provided by the roof windows allow you to access the profiles at the ridge to install the roof glazing and sealing.



Fastener (59)




Behind view

Marker	Size in mm
A	1850 x 361 mm
B	1242 x 361 mm
C	825 x 730 mm
D	<i>Under + Window glass</i> 420 x 361 mm
E	1450 x 660 mm
F	370 x 184 mm
G	360 x 188,1 mm
H	360 x 356 mm

Use the suction cup provided when placing the glazing. Make sure that you pick up the glasses well with the suction cup.

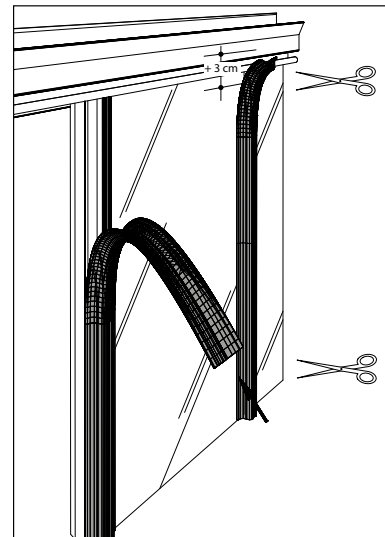
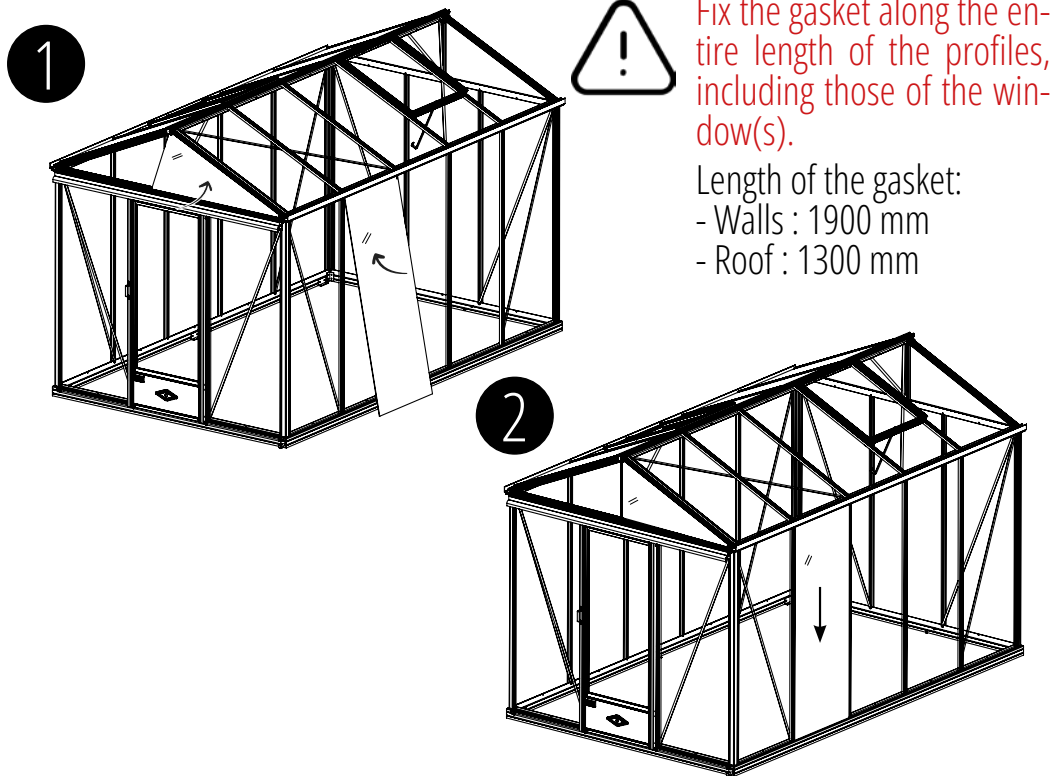
INFORMATION OF THE INSTALLATION OF THE GLAZING AND GASKET

When installing the roof glazing, work your way one glass pane on each side of the greenhouse at a time). Do not install the glazing completely on one side and then the other. At the beginning, you can install the gasket on the roof corner profiles from the outside. You can attach the gasket to the upper half of the roof profiles, on both sides of the greenhouse, through the open spaces created by the window(s). The installation of the gasket to the lower half of the roof profiles is done from the outside of the greenhouse. You then insert a new pane of glass on each side of the roof and attach the gasket as before. And so on...

Suggestion: To make it easier to attach the gasket to the profiles, use the gasket roller provided by us. 

Important information regarding the neoprene gasket:

These can contract by approx. 3% due to heat. We therefore recommend that you leave 3 cm of the gasket protruding at the bottom. The additional 3 cm of gasket on the roof profiles can be placed under the rain gutter. The additional 3 cm gasket on the wall studs is left on the foundation frame.



Gasket



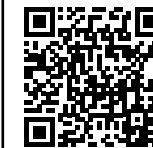
Video



Suction cup



Video



Wall glass



Video



Roof glass

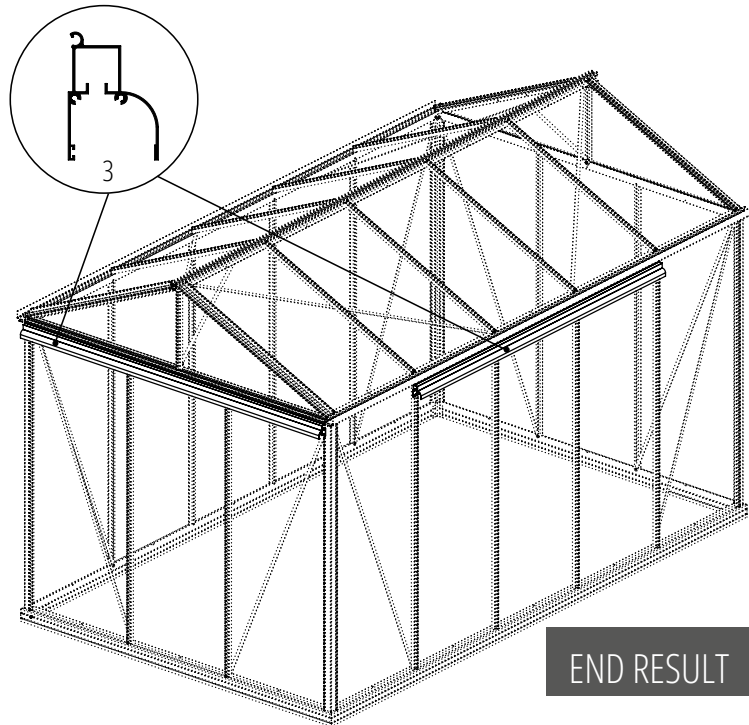
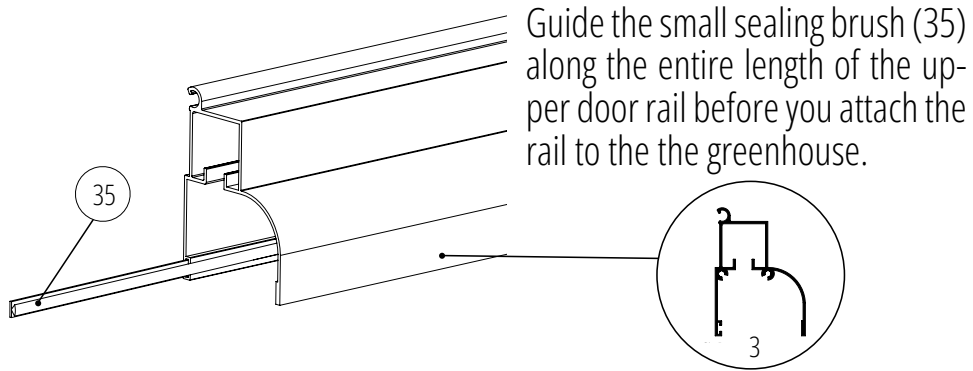


Video



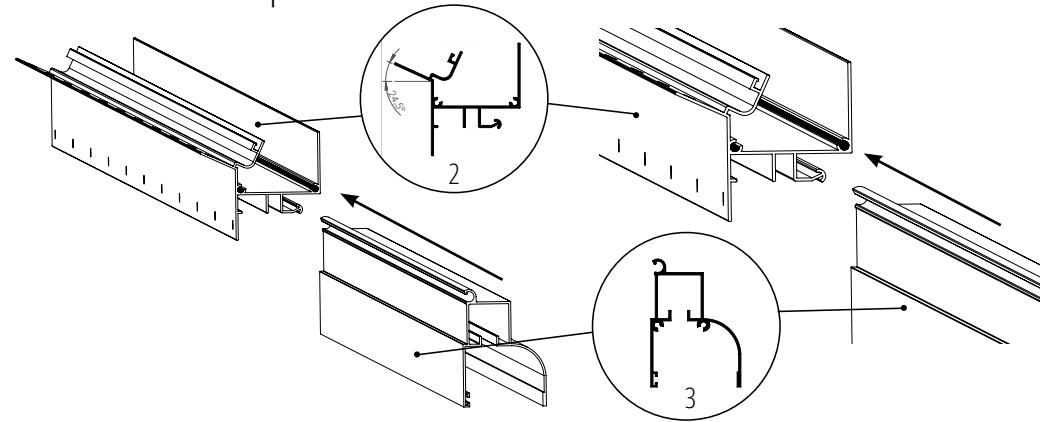
INSTALLATION OF THE UPPER DOOR RAIL

The door can be placed on the gable or long side. According to your choice, fix the upper door rail on the crossbeam on the gable side or on the gutter profile on the long side.

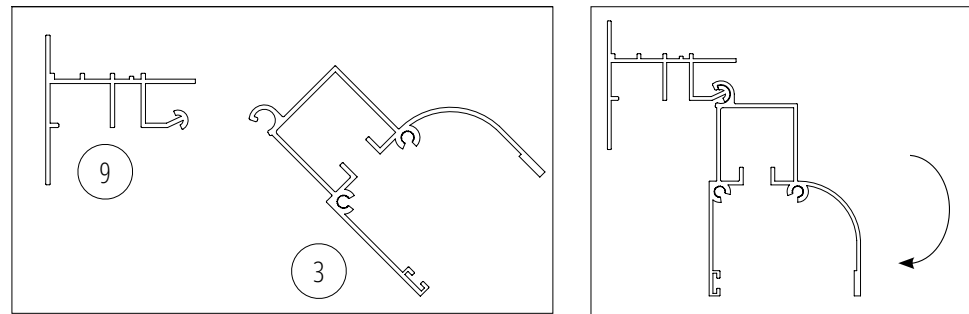


Fastening the upper door rail to the gutter profile (long side)

Guide the door rail as presented



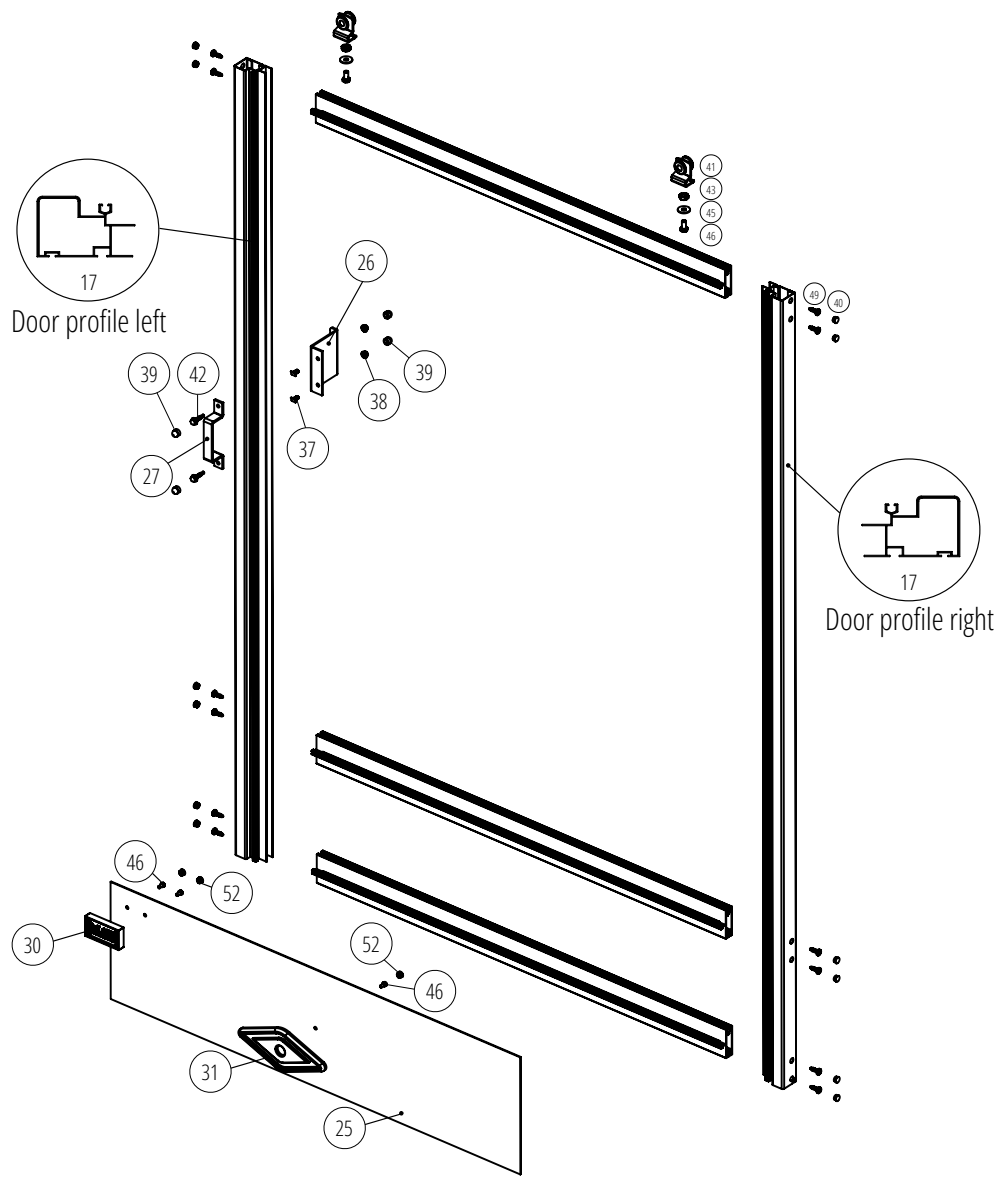
Fastening the door rail to the crossbeam (gable side)



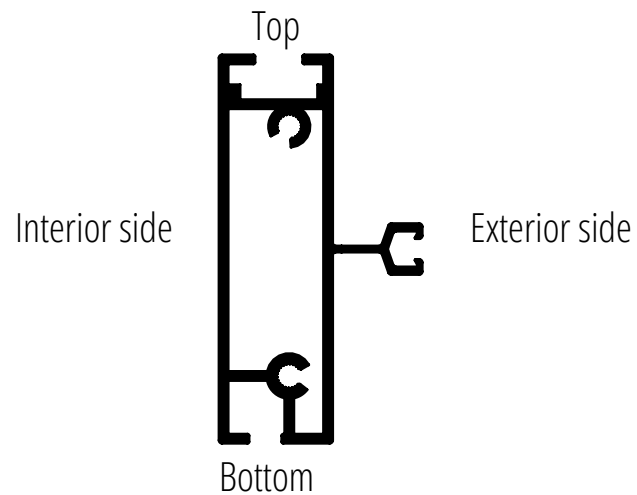
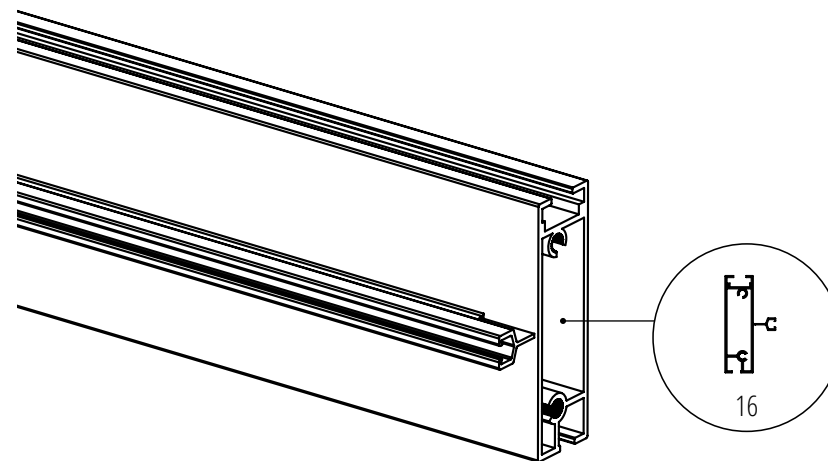
You can install the door(s) anywhere around the greenhouse (make sure there is enough space on the side for the sliding door to open).

You will find these assembly instructions also included in the scope of delivery of the door.

ASSEMBLY OF THE DOOR

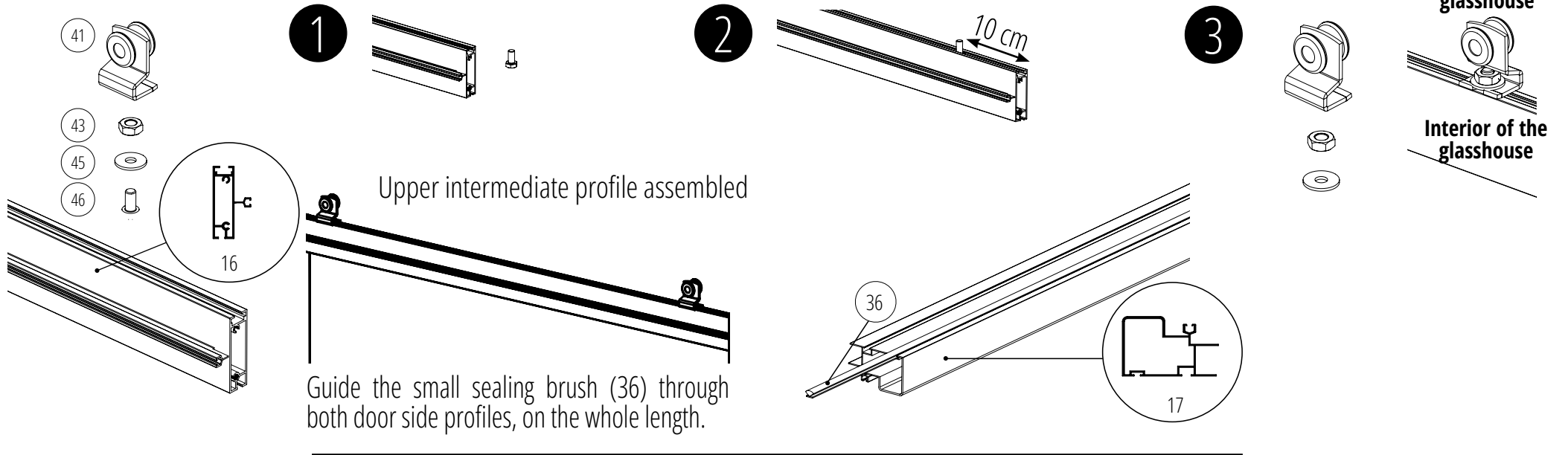


Install the **intermediate door profile** as presented, so that it can slide well on the lower door rail.



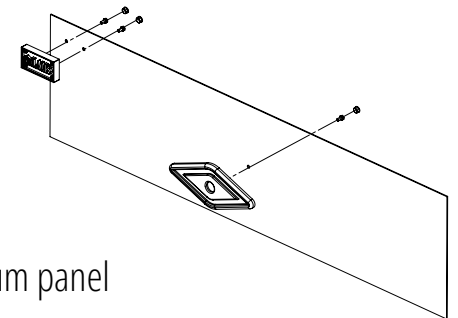
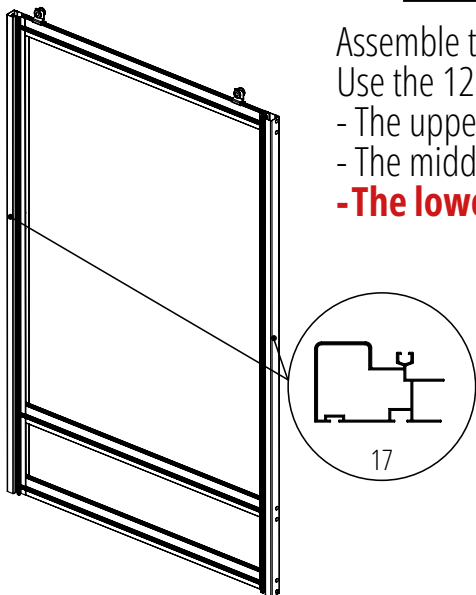
ASSEMBLY OF THE DOOR

Mount the door rollers on the upper intermediate door profile before completely assembling the door.
Insert the screw (43) into the upper groove, 10 cm from the end of the intermediate profile. Then add the disk and nut and fasten with the combination wrench. Repeat this on the opposite side.



Assemble the door structure, see illustration on previous page:
Use the 12 screws (49) and plastic cover caps (40) for:

- The upper intermediate profile
- The middle intermediate profile
- **The lower intermediate profile** (refer to the information on the previous page)



Fastening the logo and palmette to the aluminium panel

ASSEMBLY OF THE DOOR

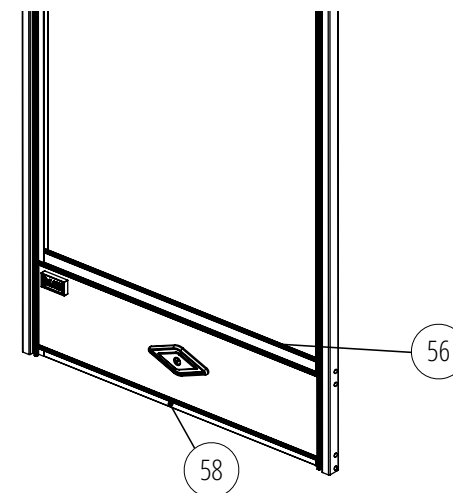
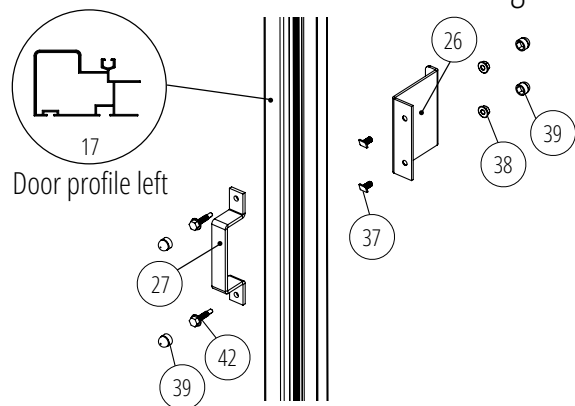


The two door handles are mounted after the door (with the glass pane) has been placed on the greenhouse.

Position the lower door panel at the bottom of the door. To hold it in place on the door, fix the rubber seal (58) on the bottom profile by placing its lip side of on the panel sheet. Allow it to protrude by 1 cm on each side.

Now you can attach the door to the upper door rail (see page 33).

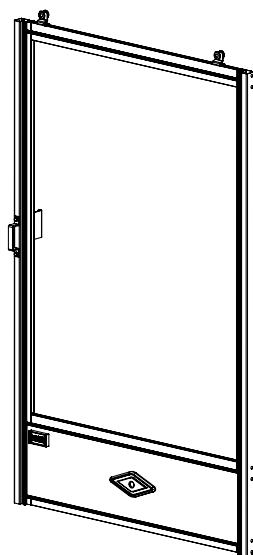
Add the door handles after the door was installed on the greenhouse



Single sliding door

Greenhouse Essentia W. 77 cm
Greenhouse Luxia W. 77 cm or 1 m
Greenhouse Supra W. 1 m

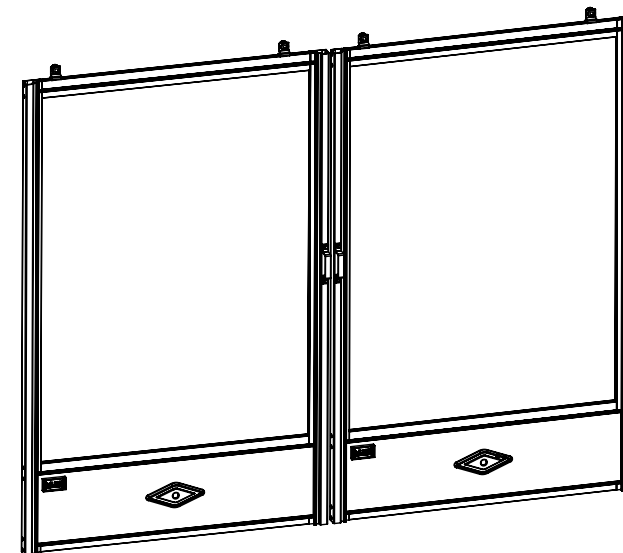
On the Luxia and Supra greenhouses, you can choose to have the doors on the gable or long side. If the length of the sides allows it, you can add as many individual doors as you wish.



Double sliding door

Greenhouse Luxia W. 2 x 77 cm or 2 x 1 m
Greenhouse Supra W. 2 x 77 cm or 2 x 1 m

On the Luxia and Supra greenhouses, you can choose to have the doors on the gable or long side. If the length of the sides allows it, you can add as many individual doors as you wish (a 2 x 1 m door on the Supra can only be placed on a gable side)



INSTALLATION OF THE DOOR

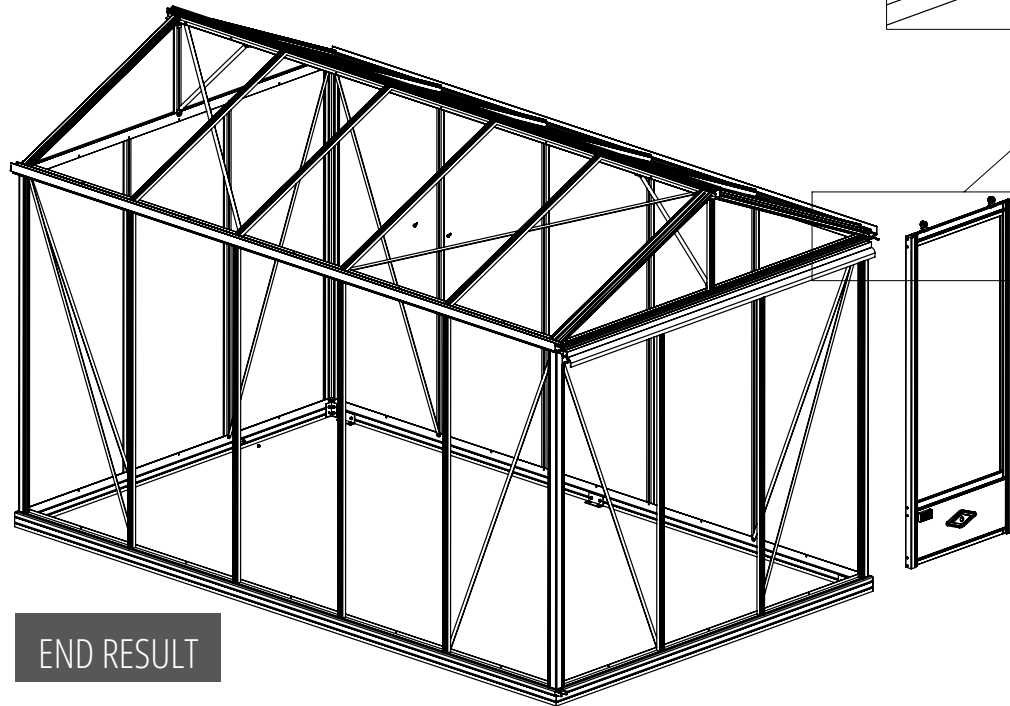
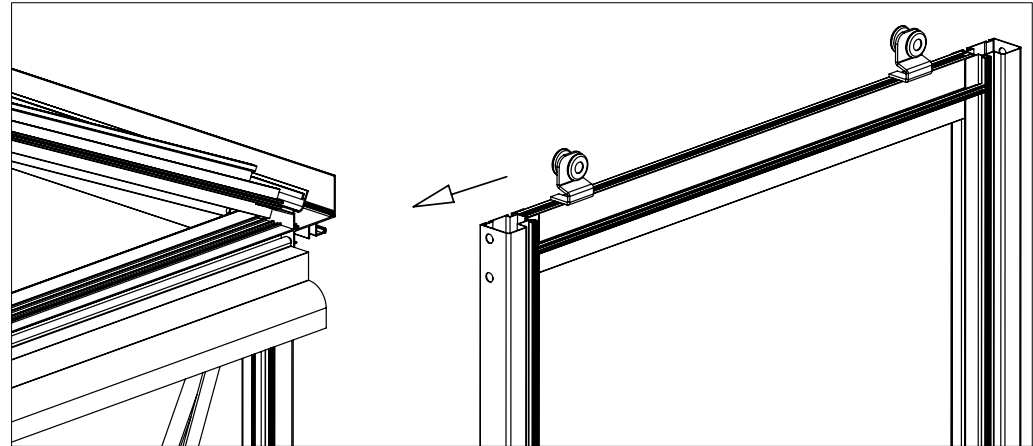
As soon as all the glass has been attached to the greenhouse, you can put the door in place - without the glass pane.

Once the door is in place, add the door glass: Place the glass pane from the outside (like the rest of the greenhouse glazing).

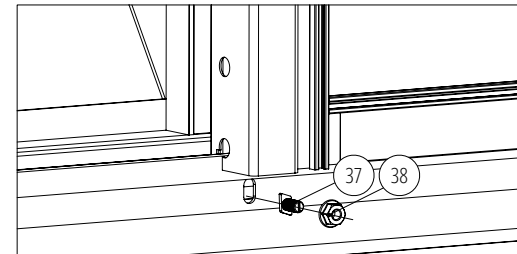
To hold the glass in place, fix the seal (58) on the top intermediate profile with its lip side on the glass, then the seal (56) on the middle intermediate profile.

Then attach the gasket to both door side profiles, covering the outer ends of the gasket on the intermediate profiles.

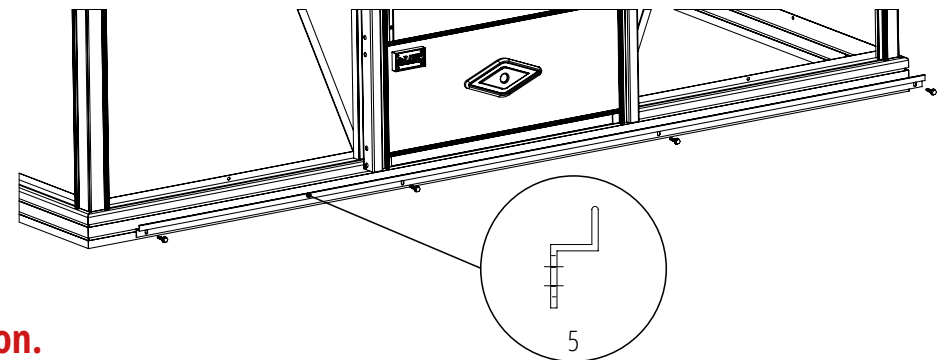
Finally, attach the door handles.



END RESULT



The lower door rail is installed at the end. The correct installation insures a good sliding of the door.



The sliding of the door:

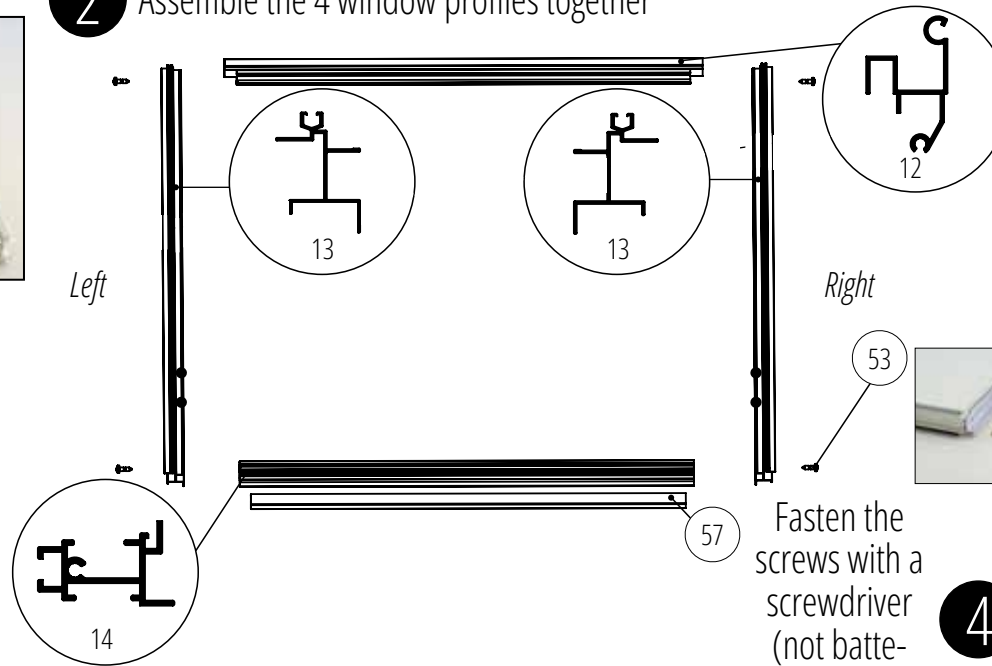
- The lower door rail is equipped with an oblong hole for better installation.
- The rail must be kept clean: remove leaves, soil residues...

ASSEMBLY OF THE ROOF WINDOW

END RESULT

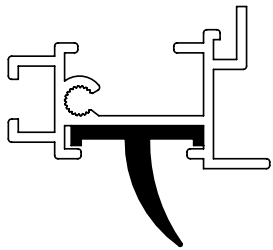


2 Assemble the 4 window profiles together

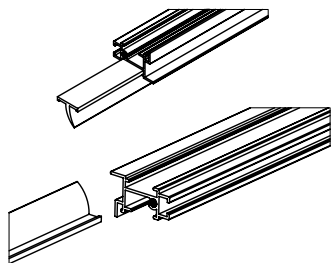


If you have 8 mm panels, add the fastener (59) at the bottom end of the panel.

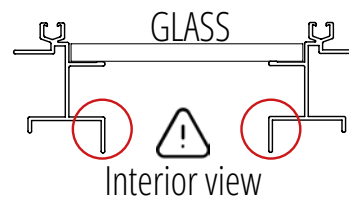
1 Slide the window gasket into the lower window profile



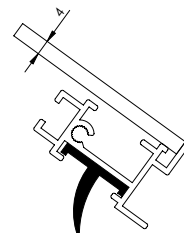
Adding the gasket (57) into the lower window profile (14)



Installation of the 2 side profiles



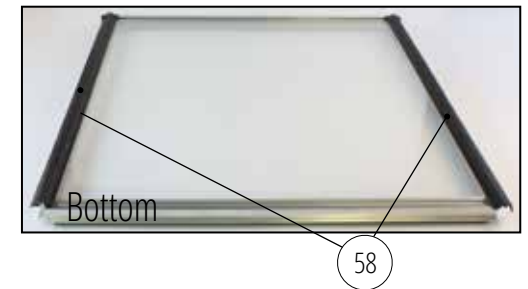
3 Put the glass on the window frame



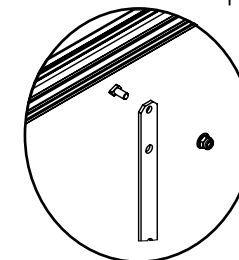
Fasten the screws with a screwdriver (not battery-powered)



4 Fix the seal (58) on the window so that the side with the lip rests on the glass.



5 Add the manual opener at the lower window profile



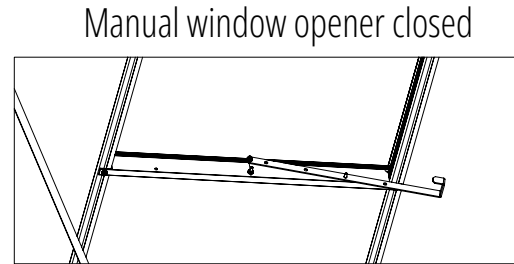
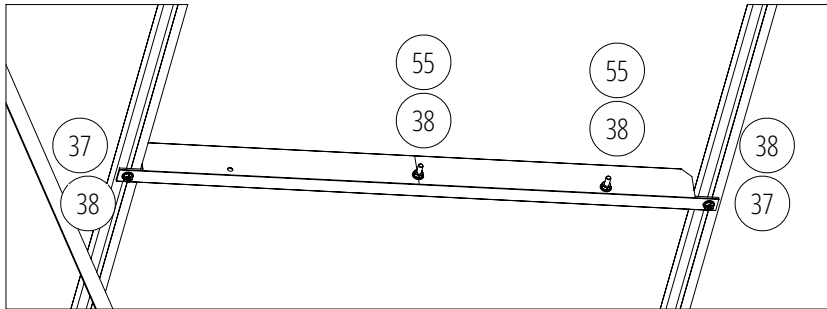
INSTALLATION OF THE ROOF WINDOW

Assemble the window completely (with glass pane) as indicated on the previous page before installing the window on the roof.

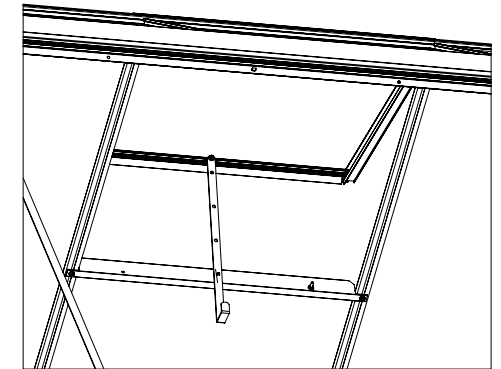
1 Installation of the window stopper profile

Fasten the hammer-head screw (37) and nut (38) to the window stop profile by standing under the greenhouse.

To hold the manual window opener horizontally or vertically, fix a screw (55) in the middle hole and in one of the side holes, which is held by a nut (38).



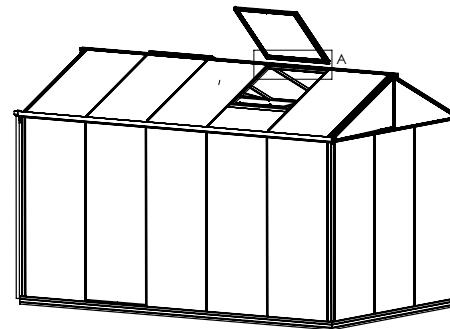
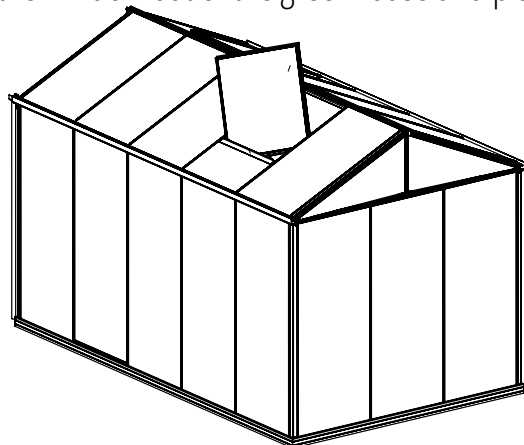
Manual window opener open



In case of strong wind, the manual window opener can be lifted and open (possibly even fall out of the ridge) even though it is in the closed position. To avoid this we recommend to block the manual window opener with the nut (55) and the screw (38).

2 Installation of the window

Lift the window out of the greenhouse and place it in front of the ridge.



3 Fastening the window

Clip the upper window profile to the insert provided on the roof ridge.

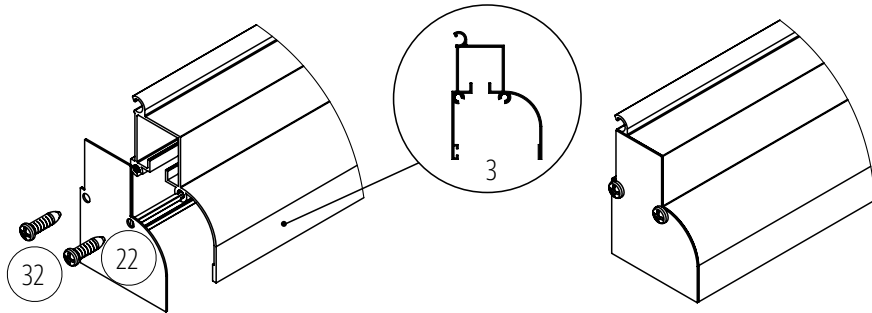


You can then add more windows. Just note that two windows cannot be placed next to each other. There must always be a pane of glass between them.

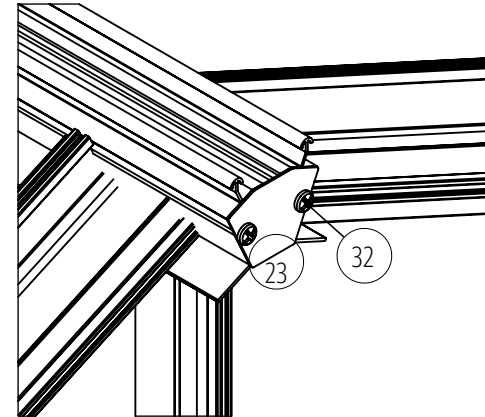
COMPLETION

Attention, follow the steps in the given order:

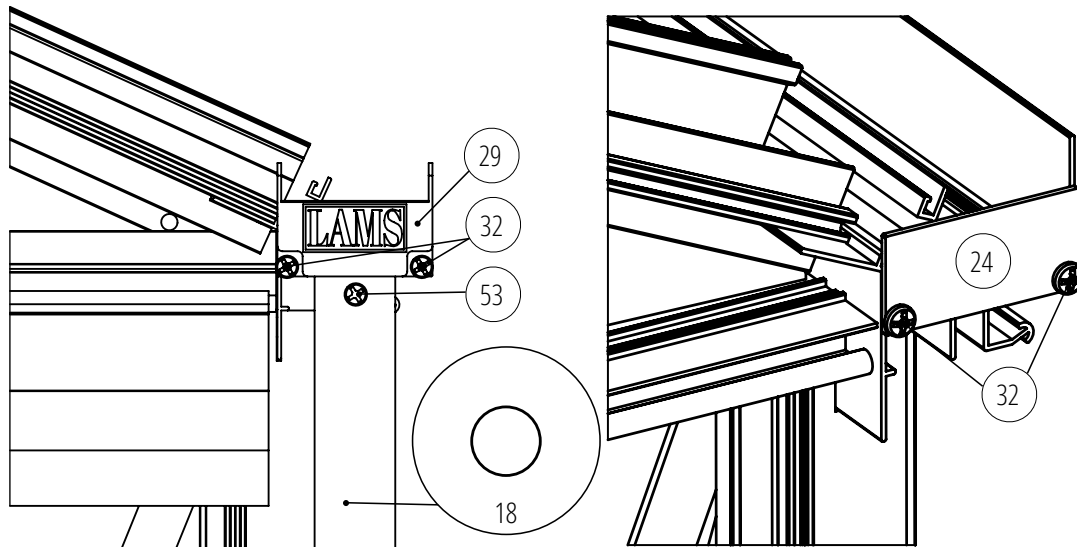
1 Installation of the door rail



2 Fastening ridge cover

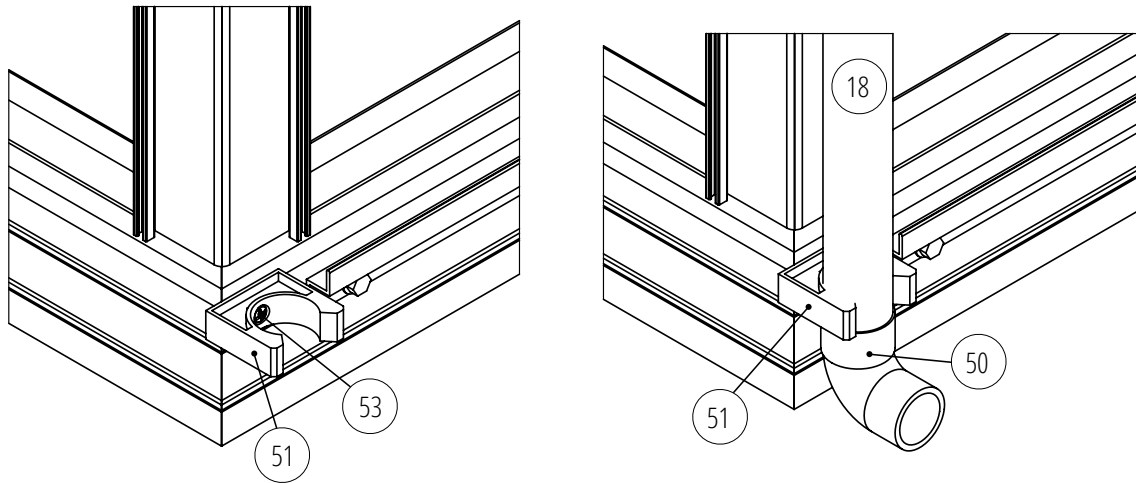


3 Fastening the gutter outlet and endpiece



COMPLETION

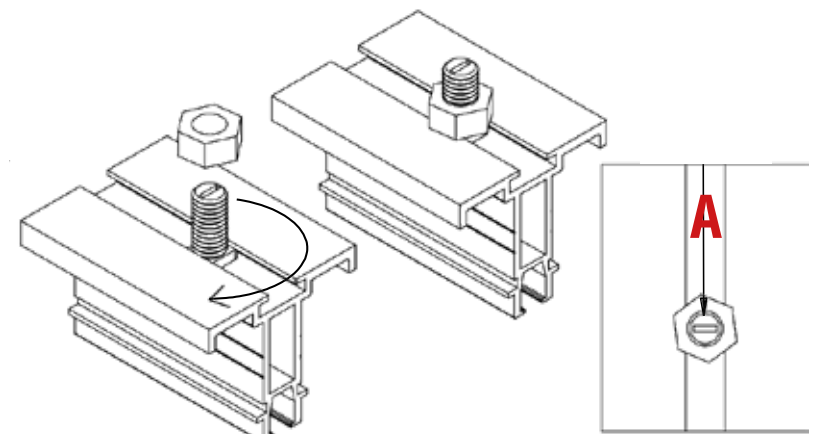
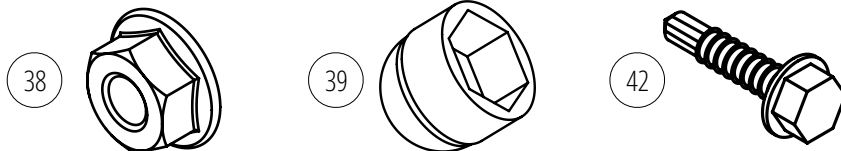
4 Fastening the lower downpipe part



First attach the pipe bracket to the downpipe. If the downpipe is painted, the paint may interfere with handling. Use a little sandpaper to remove some of the paint and make it easier to attach the angle bracket. Then attach the downpipe to the downpipe connection. Then attach the downpipe clamp (51) so that the downpipe is vertical and properly aligned.

5 Add the plastic cover caps

Your greenhouse is now completely ready. You can put the plastic cover caps on the M6 nuts (38) and hexagonal drill screws (42). Use this last step to check one last time that the nuts are correctly tightened and that the hammer-head screws (37) have been fitted correctly, perpendicular to the profile gap (A).



OPTIONS & ACCESSORIES

These products can be ordered at any time after purchasing your greenhouse on our website www.serres-lams.com

REGULATE THE TEMPERATURE IN THE GREENHOUSE



Automatic window opener

Provides an automatic opening and closing of the window depending the indoor temperature.



Shading system

Protects your plants or interior furnishings from strong sunlight (magnifying glass effect).



Additional roof window

Provides an additional opening to ventilate your greenhouse.



Side window

Provides an additional opening to ventilate your greenhouse.

OPTIONS & ACCESSORIES

These products can be ordered at any time after purchasing your greenhouse on our website www.serres-lams.com

ADDITIONAL SLIDING DOORS



Insect screen door W. 0,70 m



Door W. 0,77 m



Door W. 1,00 m



Double door 2 x 0,77 m

By adding an extra door, the ventilation of the greenhouse can be optimised. Replacing a single door with a double door can make your life easier to bring in large pots of citrus plants or for easier access with a wheelbarrow. Our sliding doors can be fitted at any time on the gable or long side (contact us for more information).

OPTIONS & ACCESSORIES

These products can be ordered at any time after purchasing your greenhouse on our website www.serres-lams.com

RIDGE CRESTING AND PRACTICABILITY



Victorian ridge cresting

Ridge cresting made from aluminium smelter and painted in the same colours as your greenhouse.



Set of 2 access ramps - 46 x 42 cm

For easy and safe access with your wheelbarrow, when the door is open.

OPTIONS & ACCESSORIES

These products can be ordered at any time after purchasing your greenhouse on our website www.serres-lams.com

GREENHOUSE SET-UP



Table



Growing

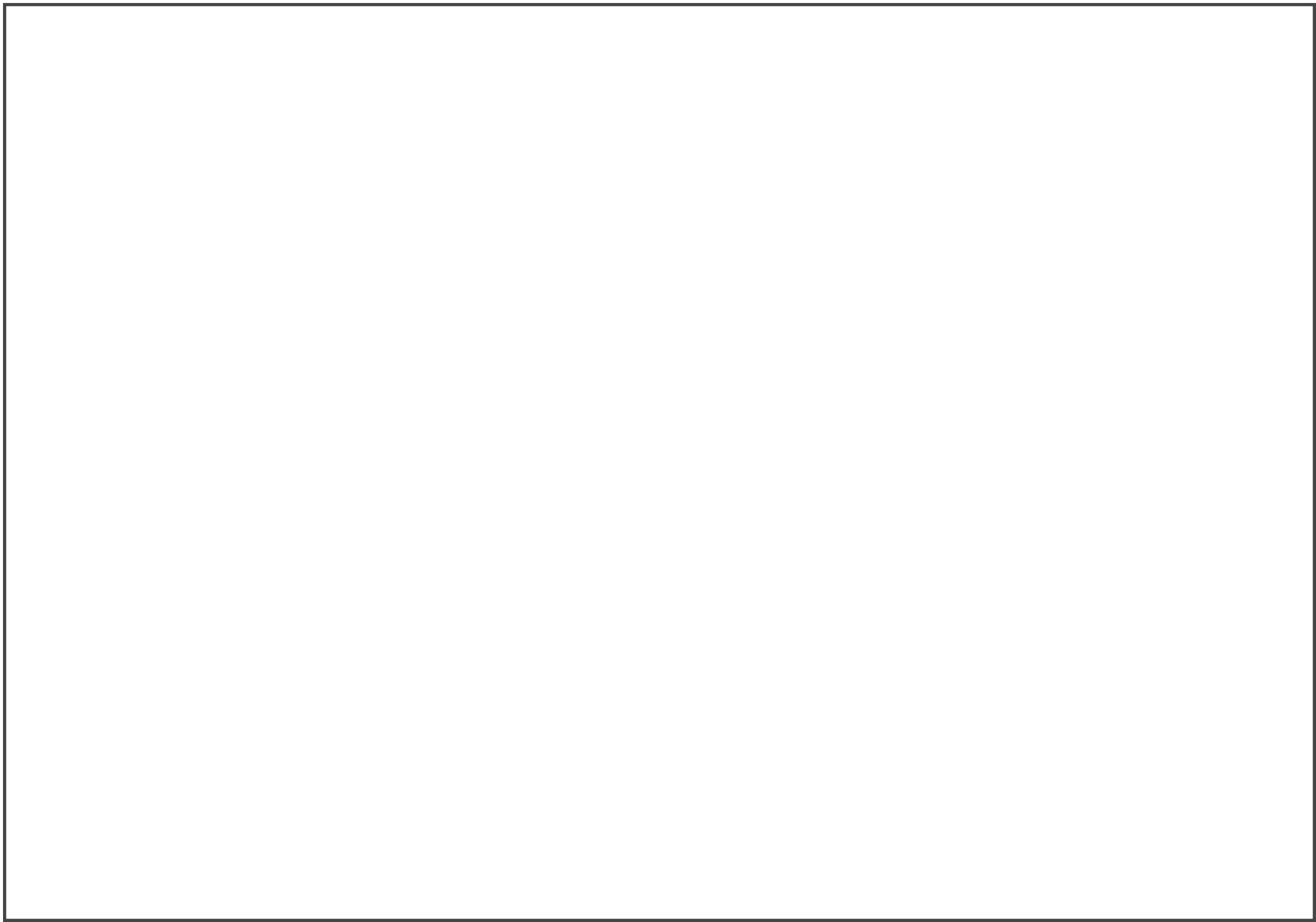


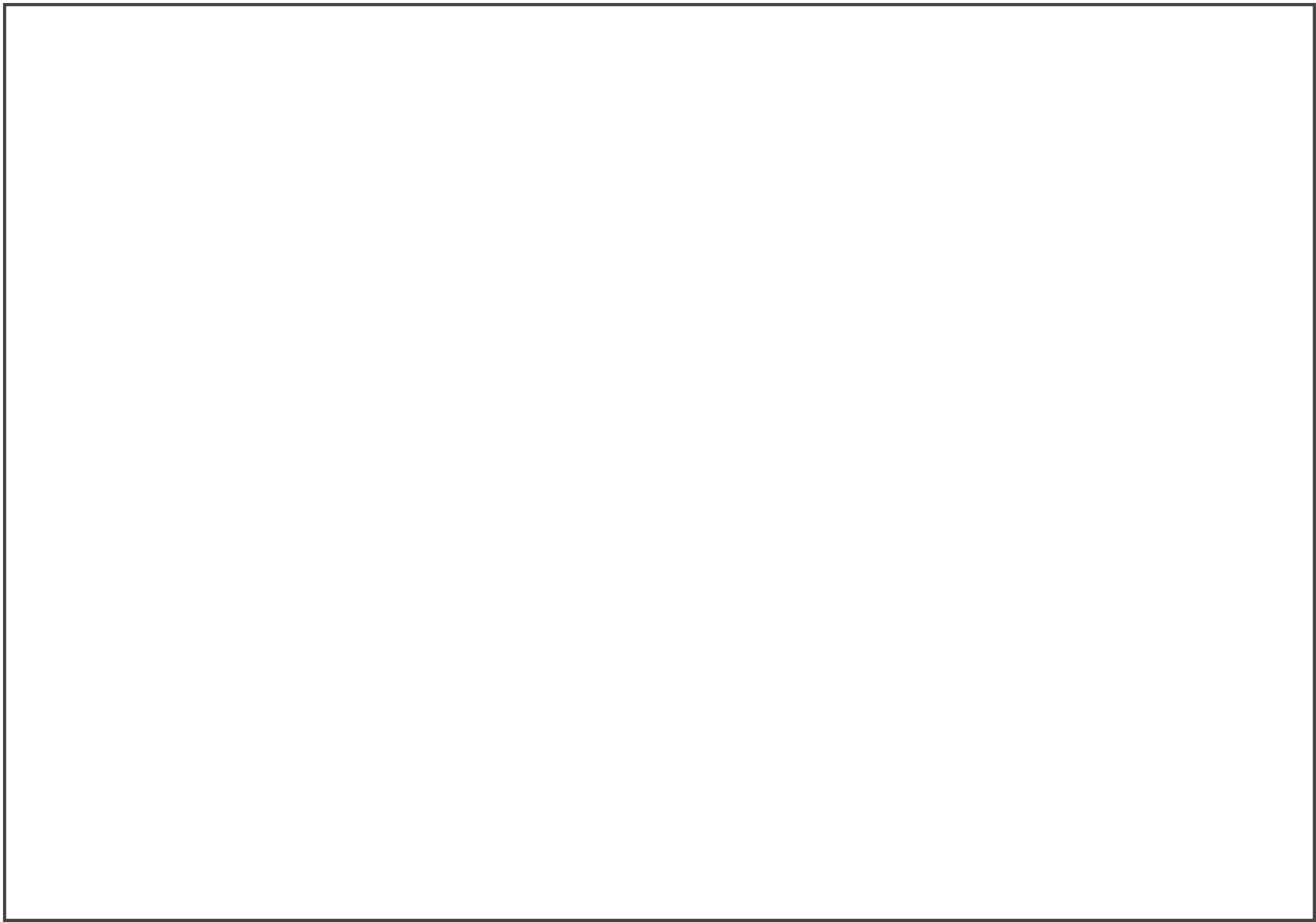
Cultivation tray with removable bottom



Cultivation tray with waterproof bottom

Indispensable and useful accessories for a good use of your greenhouse: preparation of the plants, storage place during gardening, ...







French glasshouse designer & manufacturer since 1993